

*****NOTICE*****

THIS IS NOT AN OFFICIAL BID DOCUMENT
FOR PUBLIC REVIEW ONLY

Bidders need to contact the Grundy County Highway Department to request the official bid documents. Bidders must provide a copy of their current Illinois Department of Transportation (IDOT) Certificate of Eligibility to receive official bid documents.

Grundy County Highway Department
245 N. Route 47
Morris, Illinois 60450
Phone: (815) 942-0363
Fax: (815) 942-4290
E-mail: highway@grundyco.org
Website: www.grundyco.org/highway/



Local Public Agency
Formal Contract
Proposal

PROPOSAL SUBMITTED BY		
Contractor's Name		
Street	P.O. Box	
City	State	Zip Code

STATE OF ILLINOIS

COUNTY OF Grundy
Erienna Township
 (Name of City, Village, Town or Road District)

FOR THE IMPROVEMENT OF
 STREET NAME OR ROUTE NO. TR 49 (Stockdale Road)
 SECTION NO. 18-03000-00-GM
 TYPES OF FUNDS Non-MFT

SPECIFICATIONS (required)

PLANS (required)

For Municipal Projects
 Submitted/Approved/Passed

Mayor President of Board of Trustees Municipal Official

Date _____

Department of Transportation
 Released for bid based on limited review

Regional Engineer _____

Date _____

For County and Road District Projects
 Submitted/Approved

[Signature]
 Highway Commissioner

5-22-18
 Date

Submitted/Approved

[Signature]
 County Engineer/Superintendent of Highways

5/22/18
 Date

Note: All proposal documents, including Proposal Guaranty Checks or Proposal Bid Bonds, should be stapled together to prevent loss when bids are processed.

RETURN WITH BID

NOTICE TO BIDDERS

County Grundy
Local Public Agency Erienna
Section Number 180-03000-00-GM
Route TR 49 -Stockdale Rd

Sealed proposals for the improvement described below will be received at the office of Grundy County Highway Dept,
245 N. Rt. 47 Morris, Illinois 60450 until 10:00 AM on June 21, 2018

Sealed proposals will be opened and read publicly at the office of Grundy County Highway Dept.
245 N. Rt. 47 Morris, Illinois 60450 at 10:00 AM on June 21, 2018

DESCRIPTION OF WORK

Name Stockdale Road HMA Length: 2640.00 feet (0.50 miles)
Location Stockdale Road from Weitz Road to Nettle Creek Drive
Proposed Improvement 2" HMA Overlay

1. Plans and proposal forms will be available in the office of Grundy County Highway Dept.
245 N. Route 47 Morris, IL 60450.

- 2. [X] Prequalification
If checked, the 2 low bidders must file within 24 hours after the letting an "Affidavit of Availability" (Form BC 57), in duplicate, showing all uncompleted contracts awarded to them and all low bids pending award for Federal, State, County, Municipal and private work.
3. The Awarding Authority reserves the right to waive technicalities and to reject any or all proposals as provided in BLRS Special Provision for Bidding Requirements and Conditions for Contract Proposals.
4. The following GRUNDY Forms shall be returned by the bidder to the Awarding Authority:
a. Grundy 12200: Local Public Agency Formal Contract Proposal
b. Grundy 12200a Schedule of Prices
c. Grundy 12230: Proposal Bid Bond (if applicable)
d. Grundy 12325: Apprenticeship or Training Program Certification (do not use for federally funded projects)
e. Grundy 12326: Affidavit of Illinois Business Office
5. The quantities appearing in the bid schedule are approximate and are prepared for the comparison of bids. Payment to the Contractor will be made only for the actual quantities of work performed and accepted or materials furnished according to the contract.
6. Submission of a bid shall be conclusive assurance and warranty the bidder has examined the plans and understands all requirements for the performance of work.
7. The bidder shall take no advantage of any error or omission in the proposal and advertised contract.
8. If a special envelope is supplied by the Awarding Authority, each proposal should be submitted in that envelope furnished by the Awarding Agency and the blank spaces on the envelope shall be filled in correctly to clearly indicate its contents.
9. Permission will be given to a bidder to withdraw a proposal if the bidder makes the request in writing or in person before the time for opening proposals.

RETURN WITH BID

PROPOSAL

County Grundy
Local Public Agency Erienna
Section Number 18-03000-00-GM
Route TR 49 -Stockdale Rd

1. Proposal of
for the improvement of the above section by the construction of

a total distance of 2640.00 feet, of which a distance of 2640.00 feet, (0.500 miles) are to be improved.

- 2. The plans for the proposed work are those prepared by Grundy County Highway Dept. and approved by the Department of Transportation on
3. The specifications referred to herein are those prepared by the Department and designated as "Standard Specifications for Road and Bridge Construction" and the "Supplemental Specifications and Recurring Special Provisions" thereto, adopted and in effect on the date of invitation for bids.
4. The undersigned agrees to accept, as part of the contract, the applicable Special Provisions indicated on the "Check Sheet for Recurring Special Provisions" contained in this proposal.
5. The undersigned agrees to complete the work within 15 working days or by unless additional time is granted in accordance with the specifications.
6. A proposal guaranty in the proper amount, as specified in BLRS Special Provision for Bidding Requirements and Conditions for Contract Proposals, will be required. Bid Bonds will be allowed as a proposal guaranty. Accompanying this proposal is either a bid bond if allowed, on Department form Grundy 12200 or a proposal guaranty check, complying with the specifications, made payable to:

County Treasurer of Grundy County

The amount of the check is ().

- 7. In the event that one proposal guaranty check is intended to cover two or more proposals, the amount must be equal to the sum of the proposal guaranties, which would be required for each individual proposal. If the proposal guaranty check is placed in another proposal, it will be found in the proposal for: Section Number
8. The successful bidder at the time of execution of the contract will be required to deposit a contract bond for the full amount of the award. When a contract bond is not required, the proposal guaranty check will be held in lieu thereof. If this proposal is accepted and the undersigned fails to execute a contract and contract bond as required, it is hereby agreed that the Bid Bond or check shall be forfeited to the Awarding Authority.
9. Each pay item should have a unit price and a total price. If no total price is shown or if there is a discrepancy between the product of the unit price multiplied by the quantity, the unit price shall govern. If a unit price is omitted, the total price will be divided by the quantity in order to establish a unit price.
10. A bid will be declared unacceptable if neither a unit price nor a total price is shown.
11. The undersigned submits herewith the schedule of prices on Grundy 12200a covering the work to be performed under this contract.
12. The undersigned further agrees that if awarded the contract for the sections contained in the combinations on Grundy 12200a, the work shall be in accordance with the requirements of each individual proposal for the multiple bid specified in the Schedule for Multiple Bids below.

RETURN WITH BID

CONTRACTOR CERTIFICATIONS

County	<u>Grundy</u>
Local Public Agency	<u>Erienna</u>
Section Number	<u>18-03000-00-GM</u>
Route	<u>TR 49 -Stockdale Rd</u>

The certifications hereinafter made by the bidder are each a material representation of fact upon which reliance is placed should the Department enter into the contract with the bidder.

1. **Debt Delinquency.** The bidder or contractor or subcontractor, respectively, certifies that it is not delinquent in the payment of any tax administered by the Department of Revenue unless the individual or other entity is contesting, in accordance with the procedures established by the appropriate revenue Act, its liability for the tax or the amount of tax. Making a false statement voids the contract and allows the Department to recover all amounts paid to the individual or entity under the contract in a civil action.

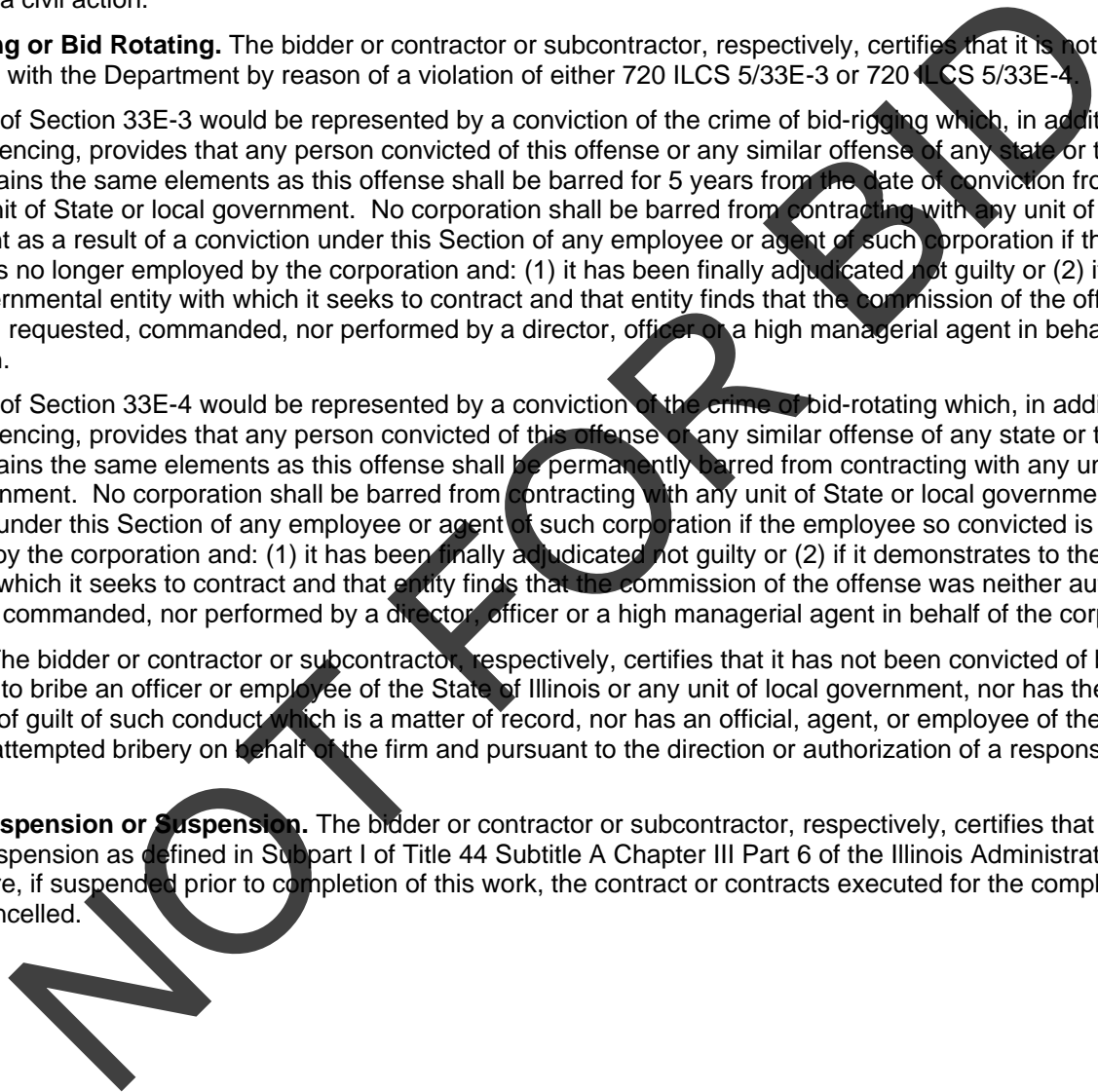
2. **Bid-Rigging or Bid Rotating.** The bidder or contractor or subcontractor, respectively, certifies that it is not barred from contracting with the Department by reason of a violation of either 720 ILCS 5/33E-3 or 720 ILCS 5/33E-4.

A violation of Section 33E-3 would be represented by a conviction of the crime of bid-rigging which, in addition to Class 3 felony sentencing, provides that any person convicted of this offense or any similar offense of any state or the United States which contains the same elements as this offense shall be barred for 5 years from the date of conviction from contracting with any unit of State or local government. No corporation shall be barred from contracting with any unit of State or local government as a result of a conviction under this Section of any employee or agent of such corporation if the employee so convicted is no longer employed by the corporation and: (1) it has been finally adjudicated not guilty or (2) if it demonstrates to the governmental entity with which it seeks to contract and that entity finds that the commission of the offense was neither authorized, requested, commanded, nor performed by a director, officer or a high managerial agent in behalf of the corporation.

A violation of Section 33E-4 would be represented by a conviction of the crime of bid-rotating which, in addition to Class 2 felony sentencing, provides that any person convicted of this offense or any similar offense of any state or the United States which contains the same elements as this offense shall be permanently barred from contracting with any unit of State or local government. No corporation shall be barred from contracting with any unit of State or local government as a result of a conviction under this Section of any employee or agent of such corporation if the employee so convicted is no longer employed by the corporation and: (1) it has been finally adjudicated not guilty or (2) if it demonstrates to the governmental entity with which it seeks to contract and that entity finds that the commission of the offense was neither authorized, requested, commanded, nor performed by a director, officer or a high managerial agent in behalf of the corporation.

3. **Bribery.** The bidder or contractor or subcontractor, respectively, certifies that it has not been convicted of bribery or attempting to bribe an officer or employee of the State of Illinois or any unit of local government, nor has the firm made an admission of guilt of such conduct which is a matter of record, nor has an official, agent, or employee of the firm committed bribery or attempted bribery on behalf of the firm and pursuant to the direction or authorization of a responsible official of the firm.

4. **Interim Suspension or Suspension.** The bidder or contractor or subcontractor, respectively, certifies that it is not currently under a suspension as defined in Subpart I of Title 44 Subtitle A Chapter III Part 6 of the Illinois Administrative Code. Furthermore, if suspended prior to completion of this work, the contract or contracts executed for the completion of this work may be cancelled.



RETURN WITH BID

SIGNATURES

County Grundy
Local Public Agency Erienna
Section Number 18-03000-00-GM
Route TR 49 -Stockdale Rd

(If an individual)

Signature of Bidder _____

Business Address _____

(If a partnership)

Firm Name _____

Signed By _____

Business Address _____

Inset Names and Addressed of All Partners

(If a corporation)

Corporate Name _____

Signed By _____

President

Business Address _____

Inset Names of Officers

President _____

Secretary _____

Treasurer _____

Attest: _____
Secretary

NOT FOR BID



**Local Agency
Proposal Bid Bond**

RETURN WITH BID

Route TR 49 -Stockdale Rd
County Grundy
Local Agency Erienna
Section 18-03000-00-GM

PAPER BID BOND

WE _____ as PRINCIPAL,
and _____ as SURETY,
are held jointly, severally and firmly bound unto the above Local Agency (hereafter referred to as "LA") in the penal sum of 5% of the total bid price, or for the amount specified in the proposal documents in effect on the date of invitation for bids whichever is the lesser sum. We bind ourselves, our heirs, executors, administrators, successors, and assigns, jointly pay to the LA this sum under the conditions of this instrument.

WHEREAS THE CONDITION OF THE FOREGOING OBLIGATION IS SUCH that, the said PRINCIPAL is submitting a written proposal to the LA acting through its awarding authority for the construction of the work designated as the above section.

THEREFORE if the proposal is accepted and a contract awarded to the PRINCIPAL by the LA for the above designated section and the PRINCIPAL shall within fifteen (15) days after award enter into a formal contract, furnish surety guaranteeing the faithful performance of the work, and furnish evidence of the required insurance coverage, all as provided in the "Standard Specifications for Road and Bridge Construction" and applicable Supplemental Specifications, then this obligation shall become void; otherwise it shall remain in full force and effect.

IN THE EVENT the LA determines the PRINCIPAL has failed to enter into a formal contract in compliance with any requirements set forth in the preceding paragraph, then the LA acting through its awarding authority shall immediately be entitled to recover the full penal sum set out above, together with all court costs, all attorney fees, and any other expense of recovery.

IN TESTIMONY WHEREOF, the said PRINCIPAL and the said SURETY have caused this instrument to be signed by their respective officers this _____ day of _____

Principal

(Company Name) _____ (Company Name)
By: _____ By: _____
(Signature and Title) (Signature and Title)

(If PRINCIPLE is a joint venture of two or more contractors, the company names, and authorized signatures of each contractor must be affixed.)

Surety

(Name of Surety) By: _____
(Signature of Attorney-in-Fact)

STATE OF ILLINOIS,
COUNTY OF _____
I, _____, a Notary Public in and for said county,
do hereby certify that _____

(Insert names of individuals signing on behalf of PRINCIPAL & SURETY)

who are each personally known to me to be the same persons whose names are subscribed to the foregoing instrument on behalf of PRINCIPAL and SURETY, appeared before me this day in person and acknowledged respectively, that they signed and delivered said instruments as their free and voluntary act for the uses and purposes therein set forth.

Given under my hand and notarial seal this _____ day of _____

My commission expires _____
(Notary Public)

ELECTRONIC BID BOND

Electronic bid bond is allowed (box must be checked by LA if electronic bid bond is allowed)

The Principal may submit an electronic bid bond, in lieu of completing the above section of the Proposal Bid Bond Form. By providing an electronic bid bond ID code and signing below, the Principal is ensuring the identified electronic bid bond has been executed and the Principal and Surety are firmly bound unto the LA under the conditions of the bid bond as shown above. (If PRINCIPAL is a joint venture of two or more contractors, an electronic bid bond ID code, company/Bidder name title and date must be affixed for each contractor in the venture.)

Electronic Bid Bond ID Code

(Company/Bidder Name)

(Signature and Title)

Date



Apprenticeship or Training Program Certification

Return with Bid

Route	<u>TR 49 -Stockdale Rd</u>
County	<u>Grundy</u>
Local Agency	<u>Erienna</u>
Section	<u>18-03000-00-GM</u>

All contractors are required to complete the following certification:

- For this contract proposal or for all groups in this deliver and install proposal.
- For the following deliver and install groups in this material proposal:

Illinois Department of Transportation policy, adopted in accordance with the provisions of the Illinois Highway Code, requires this contract to be awarded to the lowest responsive and responsible bidder. The award decision is subject to approval by the Department. In addition to all other responsibility factors, this contract or deliver and install proposal requires all bidders and all bidders' subcontractors to disclose participation in apprenticeship or training programs that are (1) approved by and registered with the United States Department of Labor's Bureau of Apprenticeship and Training, and (2) applicable to the work of the above indicated proposals or groups. Therefore, all bidders are required to complete the following certification:

- I. Except as provided in paragraph IV below, the undersigned bidder certifies that it is a participant, either as an individual or as part of a group program, in an approved apprenticeship or training program applicable to each type of work or craft that the bidder will perform with its own employees.
- II. The undersigned bidder further certifies for work to be performed by subcontract that each of its subcontractors submitted for approval either (A) is, at the time of such bid, participating in an approved, applicable apprenticeship or training program; or (B) will, prior to commencement of performance of work pursuant to this contract, establish participation in an approved apprenticeship or training program applicable to the work of the subcontract.
- III. The undersigned bidder, by inclusion in the list in the space below, certifies the official name of each program sponsor holding the Certificate of Registration for all of the types of work or crafts in which the bidder is a participant and that will be performed with the bidder's employees. Types of work or craft that will be subcontracted shall be included and listed as subcontract work. The list shall also indicate any type of work or craft job category for which there is no applicable apprenticeship or training program available.

IV. Except for any work identified above, any bidder or subcontractor that shall perform all or part of the work of the contract or deliver and install proposal solely by individual owners, partners or members and not by employees to whom the payment of prevailing rates of wages would be required, check the following box, and identify the owner/operator workforce and positions of ownership.

The requirements of this certification and disclosure are a material part of the contract, and the contractor shall require this certification provision to be included in all approved subcontracts. The bidder is responsible for making a complete report and shall make certain that each type of work or craft job category that will be utilized on the project is accounted for and listed. The Department at any time before or after award may require the production of a copy of each applicable Certificate of Registration issued by the United States Department of Labor evidencing such participation by the contractor and any or all of its subcontractors. In order to fulfill the participation requirement, it shall not be necessary that any applicable program sponsor be currently taking or that it will take applications for apprenticeship, training or employment during the performance of the work of this contract or deliver and install proposal.

Bidder: _____ By: _____ (Signature)
Address: _____ Title: _____

NOT FOR BID



Affidavit of Illinois Business Office

County Grundy
Local Public Agency Erienna
Section Number 18-03000-00-GM
Route TR-49 -Stockdale Rd

State of _____)
County of _____) ss.

I, _____ of _____, _____,
(Name of Affiant) (City of Affiant) (State of Affiant)

being first duly sworn upon oath, states as follows:

1. That I am the _____ of _____ bidder
officer or position
2. That I have personal knowledge of the facts herein stated.
3. That, if selected under this proposal, _____, will maintain a
(bidder)
business office in the State of Illinois which will be located in _____ County, Illinois.
4. That this business office will serve as the primary place of employment for any persons employed in the construction contemplated by this proposal.
5. That this Affidavit is given as a requirement of state law as provided in Section 30-22(8) of the Illinois Procurement Code.

(Signature)

(Print Name of Affiant)

This instrument was acknowledged before me on _____ day of _____, _____.

(SEAL)

(Signature of Notary Public)



Illinois Department of Transportation

Bureau of Construction
2300 South Dirksen
Parkway/Room 322

Affidavit of Availability For the Letting of 6/21/2018

Instructions: Complete this form by either typing or using black ink. "Authorization to Bid" will not be issued unless both sides of this form are completed in detail. Use additional forms as needed to list all work.

Part I. Work Under Contract

List below all work you have under contract as either a prime contractor or a subcontractor. It is required to include all pending low bids not yet awarded or rejected. In a joint venture, list only that portion of the work which is the responsibility of your company. The uncompleted dollar value is to be based upon the most recent engineer's or owners estimate, and must include work subcontracted to others. If no work is contracted, show **NONE**.

	1	2	3	4	Awards Pending	
Contract Number						
Contract With						
Estimated Completion Date						
Total Contract Price						Accumulated Totals
Uncompleted Dollar Value if Firm is the Prime Contractor						
Uncompleted Dollar Value if Firm is the Subcontractor						
Total Value of All Work						

Part II. Awards Pending and Uncompleted Work to be done with your own forces.

List below the uncompleted dollar value of work for each contract and awards pending to be completed with your own forces. All work subcontracted to others will be listed on the reverse of this form. In a joint venture, list only that portion of the work to be done by your company. If no work is contracted, show **NONE**.

					Accumulated Totals
Earthwork					
Portland Cement Concrete Paving					
HMA Plant Mix					
HMA Paving					
Clean & Seal Cracks/Joints					
Aggregate Bases & Surfaces					
Highway, R.R. and Waterway Structures					
Drainage					
Electrical					
Cover and Seal Coats					
Concrete Construction					
Landscaping					
Fencing					
Guardrail					
Painting					
Signing					
Cold Milling, Planning & Rotomilling					
Demolition					
Pavement Markings (Paint)					
Other Construction (List)					
					\$ 0.00
Totals					

Disclosure of this information is **REQUIRED** to accomplish the statutory purpose as outlined in the "Illinois Procurement Code." Failure to comply will result in non-issuance of an "Authorization To Bid." This form has been approved by the State Forms Management Center.

Part III. Work Subcontracted to Others.

For each contract described in Part I, list all the work you have subcontracted to others.

	1	2	3	4	Awards Pending
Subcontractor					
Type of Work					
Subcontract Price					
Amount Uncompleted					
Subcontractor					
Type of Work					
Subcontract Price					
Amount Uncompleted					
Subcontractor					
Type of Work					
Subcontract Price					
Amount Uncompleted					
Subcontractor					
Type of Work					
Subcontract Price					
Amount Uncompleted					
Subcontractor					
Type of Work					
Subcontract Price					
Amount Uncompleted					
Total Uncompleted					

NOT FOR BID

I, being duly sworn, do hereby declare that this affidavit is a true and correct statement relating to ALL uncompleted contracts of the undersigned for Federal, State, County, City and private work, including ALL subcontract work, ALL pending low bids not yet awarded or rejected and ALL estimated completion dates.

Subscribed and sworn to before me
 this _____ day of _____, _____ Type or Print Name _____
Officer or Director Title

 Notary Public

My commission expires _____

(Notary Seal)

Signed _____

Company _____

Address _____



STATE OF ILLINOIS
DEPARTMENT OF TRANSPORTATION
SPRINGFIELD, ILLINOIS

Road District: Erienna

Route TR 49 Section: 18-03000-00-GM, Group IV County GRUNDY
Project _____

SUMMARY OF LENGTH

SHEET NO. 1

STATION TO STATION	WORK	WIDTH	LENGTH	INTERSECTIONS, ENTRANCES AND MAILBOXES				SQUARE YARDS TO BE CONSTRUCTED
				Feet	Feet	Feet	Feet	
TR 49	Hot-Mix Asphalt	20	2,640	Intersections:	1 @ 110	Sq. Yd.	6,344	
				Entrances:	7 @ 37	Sq. Yd.		
				Mailboxes:	4 @ 27	Sq. Yd.		
				0 Foot Cul-de-sac:	0 @ 0	Sq. Yd.		
				Intersections:	0 @ 110	Sq. Yd.		
				Entrances:	0 @ 37	Sq. Yd.		
				Mailboxes:	0 @ 27	Sq. Yd.		
				0 Foot Cul-de-sac:	0 @ 0	Sq. Yd.		
	Hot-Mix Asphalt	0	0	Intersections:	0 @ 110	Sq. Yd.	0	
				Entrances:	0 @ 37	Sq. Yd.		
				Mailboxes:	0 @ 27	Sq. Yd.		
				0 Foot Cul-de-sac:	0 @ 0	Sq. Yd.		
				Intersections:	0 @ 110	Sq. Yd.		
				Entrances:	0 @ 37	Sq. Yd.		
				Mailboxes:	0 @ 27	Sq. Yd.		
				0 Foot Cul-de-sac:	0 @ 0	Sq. Yd.		
	Hot-Mix Asphalt	0	0	Intersections:	0 @ 110	Sq. Yd.	0	
				Entrances:	0 @ 37	Sq. Yd.		
				Mailboxes:	0 @ 27	Sq. Yd.		
				0 Foot Cul-de-sac:	0 @ 0	Sq. Yd.		
				Intersections:	0 @ 110	Sq. Yd.		
				Entrances:	0 @ 37	Sq. Yd.		
				Mailboxes:	0 @ 27	Sq. Yd.		
				0 Foot Cul-de-sac:	0 @ 0	Sq. Yd.		
	Hot-Mix Asphalt	0	0	Intersections:	0 @ 110	Sq. Yd.	0	
				Entrances:	0 @ 37	Sq. Yd.		
				Mailboxes:	0 @ 27	Sq. Yd.		
				0 Foot Cul-de-sac:	0 @ 0	Sq. Yd.		
				Intersections:	0 @ 110	Sq. Yd.		
				Entrances:	0 @ 37	Sq. Yd.		
				Mailboxes:	0 @ 27	Sq. Yd.		
				0 Foot Cul-de-sac:	0 @ 0	Sq. Yd.		
	Hot-Mix Asphalt	0	0	Intersections:	0 @ 110	Sq. Yd.	0	
				Entrances:	0 @ 37	Sq. Yd.		
				Mailboxes:	0 @ 27	Sq. Yd.		
				0 Foot Cul-de-sac:	0 @ 0	Sq. Yd.		
				Intersections:	0 @ 110	Sq. Yd.		
				Entrances:	0 @ 37	Sq. Yd.		
				Mailboxes:	0 @ 27	Sq. Yd.		
				0 Foot Cul-de-sac:	0 @ 0	Sq. Yd.		
TOTALS			2,640	Intersections:	0 @ 110	Sq. Yd.	6,344	
				Entrances:	0 @ 37	Sq. Yd.		
				Mailboxes:	0 @ 27	Sq. Yd.		
				0 Foot Cul-de-sac:	0 @ 0	Sq. Yd.		
				Intersections:	0 @ 110	Sq. Yd.		
				Entrances:	0 @ 37	Sq. Yd.		
				Mailboxes:	0 @ 27	Sq. Yd.		
				0 Foot Cul-de-sac:	0 @ 0	Sq. Yd.		



Special Provisions

The following Special Provisions supplement the "Standard Specifications for Road and Bridge Construction", Adopted April 1, 2016, the latest edition of the "Manual on Uniform Traffic Control Devices for Streets and Highways", and the "Manual of Test Procedures of Materials" in effect on the date of invitation of bids, and the Supplemental Specifications and Recurring Special Provisions indicated on the Check Sheet included here in which apply to and govern the construction of Section: **18-03000-00-GM** and in case of conflict with any part, or parts, of said Specifications, the said Special Provisions shall take precedence and shall govern.

LOCATION OF WORK

Project is located on Stockdale Road from Weitz Road to 0.5 mile west, a length of 0.5 mile. The site is approximately 3 miles west of Morris, Illinois.

DESCRIPTION OF WORK

The work of this Section consists of furnishing all labor and materials for a HMA overlay of Stockdale Road with Hot-Mix Asphalt and all other incidental work necessary to complete this improvement in accordance with the plans and specification for this Section.

PROSECUTION OF WORK

Add the following to the first paragraph of Article 108.06: "The contractor shall, at all times, employ sufficient labor and equipment to assure a minimum daily application rate of 400 tons for township projects and 1000 tons for county projects of Hot-Mix Asphalt. This minimum rate shall not be construed to have a bearing on the number of working days allotted in this contract."

RESPONSIBILITY OF THE CONTRACTOR

The contractor shall notify the Engineer a minimum of 48 hours prior to the commencement of work when they plan to begin and/or the start of a new construction activity.

The contractor shall responsible to ensure that all utilities have been marked on site at least 48 hours prior to the start of construction or as required by law.

The contractor shall protect any existing drainage fixture and field tiles providing drainage whether marked or unmarked on the plans. Should damage occur due to the contractor's activities, the contractor shall repair said damage at the contractor's own expense unless the Engineer determines that the damage was unavoidable.



Special Provisions

Should a conflict be discovered between these plans and conditions in the field, the contractor shall notify the Engineer immediately of the issue(s). No work that will directly affect or be affected by the conflict may proceed without the Engineer's approval.

KEEPING ROAD OPEN TO TRAFFIC

The roads involved in this Section shall be kept open to two-way traffic at all times except when construction operations require, as directed by the Engineer, temporarily closing to traffic in one direction. The Engineer will be the sole judge as to the necessity of lane closures and the length and duration of same. Should closure of road to all traffic be required, the contractor must obtain approval from the Engineer prior to the closure. The Engineer may add requirements and/or conditions for the closure as deemed necessary. The contractor shall maintain access to private property throughout the limits of the improvement in accordance with the applicable portions of Article 107.09 and Article 107.14 of the "Standard Specifications", and as directed by the Engineer.

CONSTRUCTION SIGNS AND BARRICADES

All temporary signs and barricades as specified in Article 107.14 and in the standards listed in the plans shall be furnished, erected and maintained by the contractor. The cost of said signs and barricades shall be included in the cost of Hot-Mix Asphalt and no extra compensation will be allowed.

CONSTRUCTION LAYOUT

The contractor shall be responsible for laying out all needed points and grades required to complete the project as shown in the plans.

This item will not be paid for separately but shall be considered incidental to the contract.

MOBILIZATION

The provisions of Section 671 of the Standard Specifications are not applicable to this Proposal.



Special Provisions

CONSTRUCTION DEBRIS

Add the following to the third paragraph of Article 202.03 of the Standard Specifications:

“ The contractor shall not conduct any generation, transportation or recycling of construction or demolition debris, clean or general or uncontaminated soil during construction, remodeling, repair or demolition of utilities, structures and roads that is not commingled with any waste, without the maintenance of documentation identifying the hauler, generator or place of origin of the debris or soil, the weight or volume of the debris or soil, and the location, owner and operator of the facility where debris or soil was transferred, disposed, recycled or treated, This documentation must be maintained by the Contractor for a minimum of three years after final acceptance of the project by the Department. “

BITUMINOUS MATERIALS (PRIME COAT)

1. Revise Article 406.02(b) Note 1 to read: “The prime coat used on brick, concrete, or Hot-Mix Asphalt bases shall be RC-70 or SS-1. Prime on aggregate bases shall be MC-30 or PEP”.
2. Add the following sentence to the end of the sixth paragraph of Article 406.05(b)(1) of the Standard Specifications: “The prime coat shall be placed **no later than 5 p.m.** unless otherwise directed by the Engineer.”
3. Prime Coat shall be applied at the rates as shown in Article 406.05.

ALL HOT-MIX ASPHALT MIXTURES

Revise Article 1030.02(g) Note 2 to read: “All Hot-Mix Asphalt shall be PG58-22.

HOT-MIX ASPHALT, CUT OFF DATE

Placement of Hot-Mix Asphalt will not be permitted after September 15 unless approved, in writing, by the Engineer.

ALL HOT-MIX ASPHALT MIXTURES

If it is determined during mixture design that Anti-Stripping Additive is necessary, it shall conform to Article 1030.04. The cost of the additive will not be paid for separately but shall be included in the cost of Hot-Mix Asphalt.

RAP PERCENTAGES FOR HOT-MIX ASPHALT MIXTURES

See Hot-Mix Asphalt Data Table on Plans.



Special Provisions

INCIDENTAL HOT-MIX ASPHALT SURFACING

Mailbox turnouts and field entrances shall be placed with an extendible screed widener where possible. When an extendible screed widener is used, paving shall be considered an integral part of mainline paving and will not be measured for payment. This work shall be included in the cost of the HMA Asphalt.

SURFACE TESTS

Add the following after the table in the third paragraph of Article 406.11: "If more than 10 surface variations exceeding 3/16" are found on the entire project the deduction per variation shall be 4 tons.

QC/QA HOT-MIX ASPHALT

Test strips will not be required on this Contract.

HOT-MIX ASPHALT SURFACE REMOVAL – BUTT JOINTS

Butt Joints will be constructed in accordance with Article 406.08 of the Standard Specifications. This work will involve the cutting of a taper to 1-1/2" deep in a 30 foot distance for mainline and 1" deep in an 18" distance for entrances. After the butt joint is ground in concrete entrances a straight edge shall be saw cut to ensure a straight and perpendicular joint. This work will be paid for at the Contract Unit Price bid for HOT-MIX ASPHALT SURFACE REMOVAL – BUTT JOINTS.

HOT-MIX ASPHALT MIXTURES N30

Description. This work shall consist of constructing Hot-Mix Asphalt Leveling Binder (Machine Method), N30, according to Section 1030 of the Standard Specifications and the Recurring Special Provision "Quality Control/Quality Assurance of Hot-Mix Asphalt".

QC/QA. Design and production shall be according to the Low ESAL requirements specified in the Standard Specifications for Road and Bridge Construction adopted April 1, 2016 and the Supplemental Specifications and Recurring Special Provision. At the discretion of the Engineer and QA Manager acceptance of the density of the mix may be based upon the Nuclear Density Growth Curve Method.

Basis of Payment, This work will be paid for at the contract unit price per ton for **LEVELING BINDER (MACHINE METHOD) N30**. Anti-strip if required shall be included in the unit price per ton.



Special Provisions

TEMPORARY RAMPS

Temporary Ramps shall be constructed in accordance with Article 406.08 and shall be included in the cost of Hot-Mix Asphalt and no extra compensation will be allowed.

TRAFFIC CONTROL SURVEILLANCE

Shall not be paid for separately, but shall be incidental to the contract.

TRAFFIC CONTROL PLAN

Traffic control shall be in accordance with the applicable sections of the Standard Specification for Road and Bridge Construction, the applicable guidelines contained in the Illinois Manual on Uniform Traffic Control Devices for Street and Highways, these Special Provisions, and any special details and Highway standards contained herein and in the plans. Signing standards applicable to this contract shall include the following:

701306
701901

Shall an edge drop off greater than or equal to 3 inches be present next to moving traffic due to paving operations, the contractor shall place barricades along the drop off according to Article 701.07 of the standard specifications. The barricades shall remain until the contractor has eliminated the elevation difference. The Engineer shall be the final judge when the barricades are necessary.

All Traffic Control shall not be paid separately but shall be incidental to the contract.



The Following Recurring Special Provisions Indicated By An "X" Are Applicable To This Contract And Are Included By Reference:

Recurring Special Provisions

<u>Check Sheet #</u>		<u>Page No.</u>
1	<input type="checkbox"/> Additional State Requirements for Federal-Aid Construction Contracts	64
2	<input type="checkbox"/> Subletting of Contracts (Federal-Aid Contracts)	67
3	<input type="checkbox"/> EEO	68
4	<input type="checkbox"/> Specific EEO Responsibilities Non Federal-Aid Contracts	78
5	<input type="checkbox"/> Required Provisions - State Contracts	83
6	<input type="checkbox"/> Asbestos Bearing Pad Removal	89
7	<input type="checkbox"/> Asbestos Waterproofing Membrane and Asbestos Hot-Mix Asphalt Surface Removal	90
8	<input type="checkbox"/> Temporary Stream Crossings and In-Stream Work Pads	91
9	<input type="checkbox"/> Construction Layout Stakes Except for Bridges	92
10	<input type="checkbox"/> Construction Layout Stakes	95
11	<input type="checkbox"/> Use of Geotextile Fabric for Railroad Crossing	98
12	<input type="checkbox"/> Subsealing of Concrete Pavements	100
13	<input type="checkbox"/> Hot-Mix Asphalt Surface Correction	104
14	<input type="checkbox"/> Pavement and Shoulder Resurfacing	106
15	<input type="checkbox"/> Patching with Hot-Mix Asphalt Overlay Removal	107
16	<input type="checkbox"/> Polymer Concrete	109
17	<input type="checkbox"/> PVC Pipeliner	111
18	<input type="checkbox"/> Bicycle Racks	112
19	<input type="checkbox"/> Temporary Portable Bridge Traffic Signals	114
20	<input type="checkbox"/> Work Zone Public Information Signs	116
21	<input type="checkbox"/> Nighttime Inspection of Roadway Lighting	117
22	<input type="checkbox"/> English Substitution of Metric Bolts	118
23	<input type="checkbox"/> Calcium Chloride Accelerator for Portland Cement Concrete	119
24	<input type="checkbox"/> Quality Control of Concrete Mixtures at the Plant	120
25	<input type="checkbox"/> Quality Control/Quality Assurance of Concrete Mixtures	128
26	<input type="checkbox"/> Digital Terrain Modeling for Earthwork Calculations	144
27	<input type="checkbox"/> Reserved	146
28	<input type="checkbox"/> Preventive Maintenance - Bituminous Surface Treatment	147
29	<input type="checkbox"/> Reserved	153
30	<input type="checkbox"/> Reserved	154
31	<input type="checkbox"/> Reserved	155
32	<input type="checkbox"/> Temporary Raised Pavement Markers	156
33	<input type="checkbox"/> Restoring Bridge Approach Pavements Using High-Density Foam	157
34	<input type="checkbox"/> Portland Cement Concrete Inlay or Overlay	160
35	<input type="checkbox"/> Portland Cement Concrete Partial Depth Hot-Mix Asphalt Patching	164

The Following Local Roads And Streets Recurring Special Provisions Indicated By An "X" Are Applicable To This Contract And Are Included By Reference:

Local Roads And Streets Recurring Special Provisions

<u>Check Sheet #</u>		<u>Page No.</u>
LRS 1	Reserved	168
LRS 2	<input type="checkbox"/> Furnished Excavation	169
LRS 3	<input checked="" type="checkbox"/> Work Zone Traffic Control Surveillance	170
LRS 4	<input checked="" type="checkbox"/> Flaggers in Work Zones	171
LRS 5	<input checked="" type="checkbox"/> Contract Claims	172
LRS 6	<input checked="" type="checkbox"/> Bidding Requirements and Conditions for Contract Proposals	173
LRS 7	<input type="checkbox"/> Bidding Requirements and Conditions for Material Proposals	179
LRS 8	Reserved	185
LRS 9	<input type="checkbox"/> Bituminous Surface Treatments	186
LRS 10	Reserved	187
LRS 11	<input checked="" type="checkbox"/> Employment Practices	188
LRS 12	<input checked="" type="checkbox"/> Wages of Employees on Public Works	190
LRS 13	<input checked="" type="checkbox"/> Selection of Labor	192
LRS 14	<input type="checkbox"/> Paving Brick and Concrete Paver Pavements and Sidewalks	193
LRS 15	<input checked="" type="checkbox"/> Partial Payments	196
LRS 16	<input checked="" type="checkbox"/> Protests on Local Lettings	197
LRS 17	<input checked="" type="checkbox"/> Substance Abuse Prevention Program	198
LRS 18	<input type="checkbox"/> Multigrade Cold Mix Asphalt	199

NOT FOR BID

BDE SPECIAL PROVISIONS
For the April 27 and June 15, 2018 Lettings

The following special provisions indicated by an "x" are applicable to this contract and will be included by the Project Development and Implementation Section of the BD&E. An * indicates a new or revised special provision for the letting.

<u>File Name</u>	<u>#</u>	<u>Special Provision Title</u>	<u>Effective</u>	<u>Revised</u>
80099	1	Accessible Pedestrian Signals (APS)	April 1, 2003	Jan. 1, 2014
80382	2	Adjusting Frames and Grates	April 1, 2017	
80274	3	Aggregate Subgrade Improvement	April 1, 2012	April 1, 2016
80192	4	Automated Flagger Assistance Device	Jan. 1, 2008	
80173	5	Bituminous Materials Cost Adjustments	Nov. 2, 2006	Aug. 1, 2017
80241	6	Bridge Demolition Debris	July 1, 2009	
5026I	7	Building Removal-Case I (Non-Friable and Friable Asbestos)	Sept. 1, 1990	April 1, 2010
5048I	8	Building Removal-Case II (Non-Friable Asbestos)	Sept. 1, 1990	April 1, 2010
5049I	9	Building Removal-Case III (Friable Asbestos)	Sept. 1, 1990	April 1, 2010
5053I	10	Building Removal-Case IV (No Asbestos)	Sept. 1, 1990	April 1, 2010
80366	11	X Butt Joints	July 1, 2016	
80386	12	Calcium Aluminate Cement for Class PP-5 Concrete Patching	Nov. 1, 2017	
80396	13	Class A and B Patching	Jan. 1, 2018	
80384	14	Compensable Delay Costs	June 2, 2017	
80198	15	Completion Date (via calendar days)	April 1, 2008	
80199	16	Completion Date (via calendar days) Plus Working Days	April 1, 2008	
80293	17	Concrete Box Culverts with Skews > 30 Degrees and Design Fills ≤ 5 Feet	April 1, 2012	July 1, 2016
80311	18	Concrete End Sections for Pipe Culverts	Jan. 1, 2013	April 1, 2016
80277	19	Concrete Mix Design – Department Provided	Jan. 1, 2012	April 1, 2016
80261	20	Construction Air Quality – Diesel Retrofit	June 1, 2010	Nov. 1, 2014
80387	21	Contrast Preformed Plastic Pavement Marking	Nov. 1, 2017	
80029	22	Disadvantaged Business Enterprise Participation	Sept. 1, 2000	July 2, 2016
80378	23	Dowel Bar Inserter	Jan. 1, 2017	Jan. 1, 2018
80388	24	Equipment Parking and Storage	Nov. 1, 2017	
80229	25	Fuel Cost Adjustment	April 1, 2009	Aug. 1, 2017
80304	26	Grooving for Recessed Pavement Markings	Nov. 1, 2012	Nov. 1, 2017
80246	27	X Hot-Mix Asphalt – Density Testing of Longitudinal Joints	Jan. 1, 2010	April 1, 2016
80347	28	Hot-Mix Asphalt – Pay for Performance Using Percent Within Limits – Jobsite Sampling	Nov. 1, 2014	Jan. 1, 2018
80383	29	Hot-Mix Asphalt – Quality Control for Performance	April 1, 2017	Nov. 1, 2017
80376	30	X Hot-Mix Asphalt – Tack Coat	Nov. 1, 2016	
80392	31	X Lights on Barricades	Jan. 1, 2018	
80336	32	Longitudinal Joint and Crack Patching	April 1, 2014	April 1, 2016
80393	33	Manholes, Valve Vaults, and Flat Slab Tops	Jan. 1, 2018	
80045	34	Material Transfer Device	June 15, 1999	Aug. 1, 2014
* 80394	35	Metal Flared End Section for Pipe Culverts	Jan. 1, 2018	April 1, 2018
80165	36	Moisture Cured Urethane Paint System	Nov. 1, 2006	Jan. 1, 2010
80349	37	Pavement Marking Blackout Tape	Nov. 1, 2014	April 1, 2016
80371	38	Pavement Marking Removal	July 1, 2016	
80390	39	Payments to Subcontractors	Nov. 2, 2017	
80377	40	Portable Changeable Message Signs	Nov. 1, 2016	April 1, 2017
80389	41	Portland Cement Concrete	Nov. 1, 2017	
80359	42	Portland Cement Concrete Bridge Deck Curing	April 1, 2015	Nov. 1, 2017
80385	43	Portland Cement Concrete Sidewalk	Aug. 1, 2017	
80300	44	Preformed Plastic Pavement Marking Type D - Inlaid	April 1, 2012	April 1, 2016
80328	45	Progress Payments	Nov. 2, 2013	
3426I	46	Railroad Protective Liability Insurance	Dec. 1, 1986	Jan. 1, 2006

<u>File Name</u>	<u>#</u>	<u>Special Provision Title</u>	<u>Effective</u>	<u>Revised</u>
80157	47	<input type="checkbox"/> Railroad Protective Liability Insurance (5 and 10)	Jan. 1, 2006	
80306	48	<input type="checkbox"/> Reclaimed Asphalt Pavement (RAP) and Reclaimed Asphalt Shingles (RAS)	Nov. 1, 2012	Jan. 1, 2018
80395	49	<input type="checkbox"/> Sloped Metal End Section for Pipe Culverts	Jan. 1, 2018	
80340	50	<input type="checkbox"/> Speed Display Trailer	April 2, 2014	Jan. 1, 2017
80127	51	<input type="checkbox"/> Steel Cost Adjustment	April 2, 2004	Aug. 1, 2017
80391	52	<input type="checkbox"/> Subcontractor Mobilization Payments	Nov. 2, 2017	
80317	53	<input type="checkbox"/> Surface Testing of Hot-Mix Asphalt Overlays	Jan. 1, 2013	April 1, 2016
80298	54	<input type="checkbox"/> Temporary Pavement Marking (NOTE: This special provision was previously named "Pavement Marking Tape Type IV".)	April 1, 2012	April 1, 2017
20338	55	<input type="checkbox"/> Training Special Provisions	Oct. 15, 1975	
80318	56	<input type="checkbox"/> Traversable Pipe Grate for Concrete End Sections (NOTE: This special provision was previously named "Traversable Pipe Grate".)	Jan. 1, 2013	Jan. 1, 2018
80288	57	<input type="checkbox"/> Warm Mix Asphalt	Jan. 1, 2012	April 1, 2016
80302	58	<input type="checkbox"/> Weekly DBE Trucking Reports	June 2, 2012	April 2, 2015
80071	59	<input checked="" type="checkbox"/> Working Days	Jan. 1, 2002	

The following special provisions are in the 2018 Supplemental Specifications and Recurring Special Provisions.

<u>File Name</u>	<u>Special Provision Title</u>	<u>New Location</u>	<u>Effective</u>	<u>Revised</u>
80368	Light Tower	Article 1069.08	July 1, 2016	
80369	Mast Arm Assembly and Pole	Article 1077.03(a)(1)	July 1, 2016	
80338	Portland Cement Concrete Partial Depth Hot-Mix Asphalt Patching	Recurring CS #35	April 1, 2014	April 1, 2016
80379	Steel Plate Beam Guardrail	Articles 630.02, 630.05, 630.06, and 630.08	Jan. 1, 2017	
80381	Traffic Barrier Terminal, Type 1 Special	Article 631.04	Jan. 1, 2017	
80380	Tubular Markers	Articles 701.03, 701.15, 701.18, and 1106.02	Jan. 1, 2017	

The following special provisions require additional information from the designer. The additional information needs to be submitted as a separate document. The Project Development and Implementation section will then include the information in the applicable special provision. The Special Provisions are:

- Bridge Demolition Debris
- Building Removal - Case I
- Building Removal - Case II
- Building Removal - Case III
- Building Removal-Case IV
- Completion Date
- Completion Date Plus Working Days
- DBE Participation
- Material Transfer Device
- Railroad Protective Liability Insurance
- Training Special Provisions
- Working Days

State of Illinois
Department of Transportation
Bureau of Local Roads and Streets

SPECIAL PROVISION
FOR
INSURANCE

Effective: February 1, 2007
Revised: August 1, 2007

All references to Sections or Articles in this specification shall be construed to mean specific Section or Article of the Standard Specifications for Road and Bridge Construction, adopted by the Department of Transportation.

The Contractor shall name the following entities as additional insured under the Contractor's general liability insurance policy in accordance with Article 107.27:

The entities listed above and their officers, employees, and agents shall be indemnified and held harmless in accordance with Article 107.26.

State of Illinois
Department of Transportation
Bureau of Local Roads and Streets
SPECIAL PROVISION
FOR
CONSTRUCTION AND MAINTENANCE SIGNS

Effective: January 1, 2004
Revised: June 1, 2007

All references to Sections or Articles in this specification shall be construed to mean a specific Section or Article of the Standard Specifications for Road and Bridge Construction, adopted by the Department of Transportation.

701.14. Signs. Add the following paragraph to Article 701.14:

All warning signs shall have minimum dimensions of 1200 mm x 1200 mm (48" x 48") and have a black legend on a fluorescent orange reflectorized background, meeting, as a minimum, Type AP reflectivity requirements of Table 1091-2 in Article 1091.02.

NOT FOR BID

State of Illinois
DEPARTMENT OF TRANSPORTATION
Bureau of Local Roads & Streets

SPECIAL PROVISION
FOR
GROWTH CURVE

Effective: March 1, 2008
Revised: January 1, 2010

All references to Sections and Articles in this Special Provision shall be construed to mean specific Sections and Articles in the Standard Specifications for Road and Bridge Construction adopted by the Department of Transportation.

The Contractor shall perform a growth curve at the beginning of placement of each type of mix and each lift. The growth curve for each type of mix and each lift shall be performed within the first 200 tons (180 metric tons). If an adjustment is made to the specific mix design, the Engineer reserves the right to request an additional growth curve and supporting tests at the Contractor's expense.

Compaction of the growth curve shall commence immediately after the course is placed and at a temperature of not less than 280 °F (140 °C). The growth curve, consisting of a plot of lb/cu ft (kg/cu m) vs. number of passes with the project breakdown roller, shall be developed. Roller speed during the growth curve testing shall be the same as the normal paving operation. This curve shall be established by use of a nuclear gauge. Tests shall be taken after each pass until the highest lb/cu ft (kg/cu m) is obtained. This value shall be the target density provided the HMA Gyratory air voids are within acceptable limits. If the HMA Gyratory air voids are not within the specified limits, corrective action shall be taken, and a new target density shall be established.

A new growth curve is required if the breakdown roller used on the growth curve is replaced with a new roller during production. The target density shall apply only to the specific gauge used. If additional gauges are to be used to determine density specification compliance, the Contractor shall establish a unique minimum allowable target density from the growth curve location for each gauge.

At least one core sample per day shall be taken at a location specified by the Engineer. Core densities will be determined using the Illinois-Modified AASHTO T 166 or T 275 procedure by the Department. The core density shall be according to Articles 1030.05(d)(4) and (d)(7). The QA Manager is responsible for assuring and documenting that the determined number of roller passes has been accomplished. The Engineer reserves the right to take core samples at any time to verify density from the nuclear gauge,

All lifts and confined longitudinal joint edges shall be compacted to an average nuclear gauge density of not less than 95 percent nor greater than 102 percent of the target density obtained on the growth curve. Unconfined longitudinal joint edges shall be compacted to an average nuclear gauge density of not less than 93 percent nor greater than 102 percent of the target density obtained on the growth curve. The average nuclear gauge density shall be based on tests representing one day's production.

Quality Control density tests shall be performed at randomly selected locations within 1/2 mile (800 m) intervals per lift per lane. In no case shall more than one half day's production be completed without density testing being performed. Longitudinal joint density testing shall be performed at each random density test location. Longitudinal joint testing shall be located at a distance equal to the lift thickness or a minimum of 2 in. (50 mm) from each pavement edge.

If the Contractor is not controlling the compaction process and is making no effort to take corrective action, the operation shall stop as directed by the Engineer.

NOT FOR BID

WORKING DAYS (BDE)

Effective: January 1, 2002

The Contractor shall complete the work within 15 working days.

80071

NOT FOR BID

HOT-MIX ASPHALT - DENSITY TESTING OF LONGITUDINAL JOINTS (BDE)

Effective: January 1, 2010

Revised: April 1, 2012

Description. This work shall consist of testing the density of longitudinal joints as part of the quality control/quality assurance (QC/QA) of hot-mix asphalt (HMA). Work shall be according to Section 1030 of the Standard Specifications except as follows.

Quality Control/Quality Assurance (QC/QA). Delete the second and third sentence of the third paragraph of Article 1030.05(d)(3) of the Standard Specifications.

Add the following paragraphs to the end of Article 1030.05(d)(3) of the Standard Specifications:

“Longitudinal joint density testing shall be performed at each random density test location. Longitudinal joint testing shall be located at a distance equal to the lift thickness or a minimum of 4 in. (100 mm) from each pavement edge. (i.e. for a 5 in. (125 mm) lift the near edge of the density gauge or core barrel shall be within 5 in. (125 mm) from the edge of pavement.) Longitudinal joint density testing shall be performed using either a correlated nuclear gauge or cores.

- a. Confined Edge. Each confined edge density shall be represented by a one-minute nuclear density reading or a core density and shall be included in the average of density readings or core densities taken across the mat which represents the Individual Test.
- b. Unconfined Edge. Each unconfined edge joint density shall be represented by an average of three one-minute density readings or a single core density at the given density test location and shall meet the density requirements specified herein. The three one-minute readings shall be spaced ten feet apart longitudinally along the unconfined pavement edge and centered at the random density test location.”

Revise the Density Control Limits table in Article 1030.05(d)(4) of the Standard Specifications to read:

“Mixture Composition	Parameter	Individual Test (includes confined edges)	Unconfined Edge Joint Density Minimum
IL-4.75	Ndesign = 50	93.0 – 97.4%	91.0%
IL-9.5, IL-12.5	Ndesign ≥ 90	92.0 – 96.0%	90.0%
IL-9.5, IL-9.5L, IL-12.5	Ndesign < 90	92.5 – 97.4%	90.0%
IL-19.0, IL-25.0	Ndesign ≥ 90	93.0 – 96.0%	90.0%
IL-19.0, IL-19.0L, IL-25.0	Ndesign < 90	93.0 – 97.4%	90.0%

SMA	Ndesign = 50 & 80	93.5 – 97.4%	91.0%
All Other	Ndesign = 30	93.0 - 97.4%	90.0%”

80246

NOT FOR BID

BUTT JOINTS (BDE)

Effective: July 1, 2016

Add the following to Article 406.08 of the Standard Specifications.

“(c) Temporary Plastic Ramps. Temporary plastic ramps shall be made of high density polyethylene meeting the properties listed below. Temporary plastic ramps shall only be used on roadways with permanent posted speeds of 55 mph or less. The ramps shall have a minimum taper rate of 1:30 (V:H). The leading edge of the plastic ramp shall have a maximum thickness of 1/4 in. (6 mm) and the trailing edge shall match the height of the adjacent pavement \pm 1/4 in. (\pm 6 mm).

The ramp will be accepted by certification. The Contractor shall furnish a certification from the manufacturer stating the temporary plastic ramp meets the following requirements.

Physical Property	Test Method	Requirement
Melt Index	ASTM D 1238	8.2 g/10 minutes
Density	ASTM D 1505	0.965 g/cc
Tensile Strength @ Break	ASTM D 638	2223 psi (15 MPa)
Tensile Strength @ Yield	ASTM D 638	4110 psi (28 MPa)
Elongation @ Yield ^{1/} , percent	ASTM D 638	7.3 min.
Durometer Hardness, Shore D	ASTM D 2240	65
Heat Deflection Temperature, 66 psi	ASTM D 648	176 °F (80 °C)
Low Temperature Brittleness, F ₅₀	ASTM D 746	<-105 °F (<-76 °C)

1/ Crosshead speed -2 in./minute

The temporary plastic ramps shall be installed according to the manufacturer's specifications and fastened with anchors meeting the manufacturer's recommendations. Temporary plastic ramps that fail to stay in place or create a traffic hazard shall be replaced immediately with temporary HMA ramps at the Contractor's expense.”

HOT-MIX ASPHALT – TACK COAT (BDE)

Effective: November 1, 2016

Revise Article 1032.06(a) of the Standard Specifications to read:

“(a) Anionic Emulsified Asphalt. Anionic emulsified asphalts shall be according to AASHTO M 140. SS-1h emulsions used as a tack coat shall have the cement mixing test waived.”

80376

NOT FOR BID

LIGHTS ON BARRICADES (BDE)

Effective: January 1, 2018

Revise Article 701.16 of the Standard Specifications to read:

“701.16 Lights. Lights shall be used on devices as required in the plans, the traffic control plan, and the following table.

Circumstance	Lights Required
Daylight operations	None
First two warning signs on each approach to the work involving a nighttime lane closure and “ROUGH GROOVED SURFACE” (W8-I107) signs	Flashing mono-directional lights
Devices delineating isolated obstacles, excavations, or hazards at night (Does not apply to patching)	Flashing bi-directional lights
Devices delineating obstacles, excavations, or hazards exceeding 100 ft (30 m) in length at night (Does not apply to widening)	Steady burn bi-directional lights
Channelizing devices for nighttime lane closures on two-lane roads	None
Channelizing devices for nighttime lane closures on multi-lane roads	None
Channelizing devices for nighttime lane closures on multi-lane roads separating opposing directions of traffic	None
Channelizing devices for nighttime along lane shifts on multilane roads	Steady burn mono-directional lights
Channelizing devices for night time along lane shifts on two lane roads	Steady burn bi-directional lights
Devices in nighttime lane closure tapers on Standards 701316 and 701321	Steady burn bi-directional lights
Devices in nighttime lane closure tapers	Steady burn mono-directional lights
Devices delineating a widening trench	None
Devices delineating patches at night on roadways with an ADT less than 25,000	None
Devices delineating patches at night on roadways with an ADT of 25,000 or more	None

Batteries for the lights shall be replaced on a group basis at such times as may be specified by the Engineer.”

Delete the fourth sentence of the first paragraph of Article 701.17(c)(2) of the Standard Specifications.

Revise the first paragraph of Article 603.07 of the Standard Specifications to read:

“603.07 Protection Under Traffic. After the casting has been adjusted and Class SI concrete has been placed, the work shall be protected by a barricade for at least 72 hours.”

80392

NOT FOR BID

Prevailing Wage rates for Grundy County Effective Sept. 1, 2017		Region	Type	Class	Base Wage	Fore- man Wage	M-F OT	OSA	OSH	H/W	Pension	Vacation	Training
Trade Title													
ASBESTOS ABT-GEN	All	ALL			\$41.20	\$42.20	1.5	1.5	2	\$14.65	\$12.32	\$0.00	\$0.50
ASBESTOS ABT-MEC	All	BLD			\$37.46	\$39.96	1.5	1.5	2	\$11.62	\$11.06	\$0.00	\$0.72
BOILERMAKER	All	BLD			\$48.49	\$52.86	2	2	2	\$6.97	\$19.61	\$0.00	\$0.90
BRICK MASON	All	BLD			\$45.38	\$49.92	1.5	1.5	2	\$10.45	\$16.68	\$0.00	\$0.90
CARPENTER	All	All			\$45.35	\$49.88	1.5	1.5	2	\$11.79	\$17.61	\$0.00	\$0.63
CEMENT MASON	All	ALL			\$42.00	\$44.00	2	1.5	2	\$10.00	\$23.97	\$0.00	\$0.50
CERAMIC TILE FNLSHR	All	BLD			\$37.81	\$37.81	1.5	1.5	2	\$10.55	\$10.12	\$0.00	\$0.65
COMMUNICATION TECH	All	BLD			\$34.50	\$36.00	1.5	1.5	2	\$14.62	\$12.69	\$1.50	\$0.72
ELECTRIC PWR EQMT OP	All	ALL			\$50.50	\$55.50	1.5	1.5	2	\$11.69	\$16.69	\$0.00	\$3.12
ELECTRIC PWR GRNDMAN	All	ALL			\$39.39	\$55.50	1.5	1.5	2	\$9.12	\$13.02	\$0.00	\$2.43
ELECTRIC PWR LINEMAN	All	ALL			\$50.50	\$55.50	1.5	1.5	2	\$11.69	\$16.69	\$0.00	\$3.12
ELECTRICIAN	All	BLD			\$42.50	\$46.33	1.5	1.5	2	\$15.47	\$17.44	\$3.50	\$1.20
ELEVATOR CONSTRUCTOR	All	BLD			\$43.43	\$48.86	2	2	2	\$15.28	\$15.71	\$3.47	\$0.60
GLAZIER	All	BLD			\$42.45	\$43.95	1.5	1.5	2	\$14.04	\$20.14	\$0.00	\$0.94
HT/FROST INSULATOR	All	BLD			\$50.50	\$53.00	1.5	1.5	2	\$12.12	\$12.96	\$0.00	\$0.72
IRON WORKER	All	ALL			\$42.50	\$46.75	2	2	2	\$11.26	\$24.59	\$0.00	\$0.85
LABORER	All	ALL			\$41.20	\$41.95	1.5	1.5	2	\$14.65	\$12.32	\$0.00	\$0.50
LATHER	All	All			\$42.52	\$46.77	1.5	1.5	2	\$13.29	\$12.76	\$0.00	\$0.63
MACHINIST	All	BLD			\$45.35	\$47.85	1.5	1.5	2	\$7.26	\$8.95	\$1.85	\$0.00
MARBLE FINISHERS	All	ALL			\$33.95	\$33.95	1.5	1.5	2	\$10.45	\$15.52	\$0.00	\$0.47
MARBLE MASON	All	BLD			\$44.63	\$49.09	1.5	1.5	2	\$10.45	\$16.28	\$0.00	\$0.59
MATERIAL TESTER I	All	ALL			\$31.20	\$31.20	1.5	1.5	2	\$14.65	\$11.32	\$0.00	\$0.50
MATERIALS TESTER II	All	ALL			\$36.20	\$36.20	1.5	1.5	2	\$14.65	\$12.32	\$0.00	\$0.50
MILLWRIGHT	All	All			\$45.35	\$49.88	1.5	1.5	2	\$11.79	\$17.61	\$0.00	\$0.63
OPERATING ENGINEER	All	BLD	1		\$50.10	\$54.10	2	2	2	\$18.80	\$14.35	\$2.00	\$1.30

OPERATING ENGINEER	All	BLD	2	\$48.80	\$54.10	2	2	\$18.80	\$14.35	\$2.00	\$1.30
OPERATING ENGINEER	All	BLD	3	\$46.25	\$54.10	2	2	\$18.80	\$14.35	\$2.00	\$1.30
OPERATING ENGINEER	All	BLD	4	\$44.50	\$54.10	2	2	\$18.80	\$14.35	\$2.00	\$1.30
OPERATING ENGINEER	All	BLD	5	\$53.85	\$54.10	2	2	\$18.80	\$14.35	\$2.00	\$1.30
OPERATING ENGINEER	All	BLD	6	\$51.10	\$54.10	2	2	\$18.80	\$14.35	\$2.00	\$1.30
OPERATING ENGINEER	All	BLD	7	\$53.10	\$54.10	2	2	\$18.80	\$14.35	\$2.00	\$1.30
OPERATING ENGINEER	All	FLT		\$38.00	\$38.00	1.5	1.5	\$18.05	\$13.60	\$1.90	\$1.30
OPERATING ENGINEER	All	HWY	1	\$48.30	\$52.30	1.5	1.5	\$18.80	\$14.35	\$2.00	\$1.30
OPERATING ENGINEER	All	HWY	2	\$47.75	\$52.30	1.5	1.5	\$18.80	\$14.35	\$2.00	\$1.30
OPERATING ENGINEER	All	HWY	3	\$45.70	\$52.30	1.5	1.5	\$18.80	\$14.35	\$2.00	\$1.30
OPERATING ENGINEER	All	HWY	4	\$44.30	\$52.30	1.5	1.5	\$18.80	\$14.35	\$2.00	\$1.30
OPERATING ENGINEER	All	HWY	5	\$43.10	\$52.30	1.5	1.5	\$18.80	\$14.35	\$2.00	\$1.30
OPERATING ENGINEER	All	HWY	6	\$51.30	\$52.30	1.5	1.5	\$18.80	\$14.35	\$2.00	\$1.30
OPERATING ENGINEER	All	HWY	7	\$49.30	\$52.30	1.5	1.5	\$18.80	\$14.35	\$2.00	\$1.30
PAINTER	All	ALL		\$45.55	\$51.24	1.5	1.5	\$11.56	\$11.44	\$0.00	\$1.87
PAINTER SIGNS	All	BLD		\$37.45	\$42.05	1.5	1.5	\$2.60	\$3.18	\$0.00	\$0.00
PILEDRIIVER	All	All		\$45.35	\$47.35	1.5	1.5	\$11.79	\$17.61	\$0.00	\$0.63
PIPEFITTER	All	BLD		\$47.50	\$50.50	1.5	1.5	\$9.55	\$17.85	\$0.00	\$2.07
PLASTERER	All	BLD		\$42.75	\$45.31	1.5	1.5	\$14.00	\$15.71	\$0.00	\$0.89
PLUMBER	All	BLD		\$49.25	\$52.20	1.5	1.5	\$14.34	\$13.35	\$0.00	\$1.28
ROOFER	All	BLD		\$33.26	\$35.26	1.5	1.5	\$9.08	\$11.44	\$0.00	\$0.58
SHEETMETAL WORKER	All	BLD		\$45.77	\$47.77	1.5	1.5	\$10.65	\$14.10	\$0.00	\$0.82
SIGN HANGER	All	All		\$22.99	\$25.29	1.5	1.5	\$3.79	\$2.50	\$0.00	\$0.00
SPRINKLER FITTER	All	BLD		\$47.20	\$49.20	1.5	1.5	\$12.25	\$11.55	\$0.00	\$0.55
STONE MASON	All	BLD		\$45.38	\$49.92	1.5	1.5	\$10.45	\$16.68	\$0.00	\$0.90
TERRAZZO FINISHER	All	BLD		\$40.54	\$40.54	1.5	1.5	\$10.65	\$12.76	\$0.00	\$0.73
TERRAZZO MASON	All	BLD		\$44.38	\$47.88	1.5	1.5	\$10.65	\$14.15	\$0.00	\$0.82
TILE MASON	All	BLD		\$38.56	\$38.56	1.5	1.5	\$10.65	\$11.18	\$0.00	\$0.68
TRUCK DRIVER	All	All	1	\$37.91	\$38.46	1.5	1.5	\$8.10	\$7.97	\$0.00	\$0.15
TRUCK DRIVER	All	All	2	\$38.06	\$38.46	1.5	1.5	\$8.10	\$7.97	\$0.00	\$0.15
TRUCK DRIVER	All	All	3	\$38.26	\$38.46	1.5	1.5	\$8.10	\$7.97	\$0.00	\$0.15

TRUCK DRIVER	All	All	4	\$38.46	\$38.46	1.5	1.5	2	\$8.10	\$7.97	\$0.00	\$0.15
TUCKPOINTER	All	BLD		\$45.42	\$46.42	1.5	1.5	2	\$8.32	\$15.42	\$0.00	\$0.80

Legend

M-F OT Unless otherwise noted, OT pay is required for any hour greater than 8 worked each day, Mon through Fri. The number listed is the multiple of the base wage.

OSA Overtime pay required for every hour worked on Saturdays

OSH Overtime pay required for every hour worked on Sundays and Holidays

H/W Health/Welfare benefit

Explanations GRUNDY COUNTY

PLUMBERS & PIPEFITTERS (WEST) - That part of the county West of Rte. 47 excluding the City of Morris.

The following list is considered as those days for which holiday rates of wages for work performed apply: New Years Day, Memorial Day, Fourth of July, Labor Day, Thanksgiving Day, Christmas Day and Veterans Day in some classifications/counties. Generally, any of these holidays which fall on a Sunday is celebrated on the following Monday. This then makes work performed on that Monday payable at the appropriate overtime rate for holiday pay. Common practice in a given local may alter certain days of celebration. If in doubt, please check with IDOL.

EXPLANATION OF CLASSES

ASBESTOS - GENERAL - removal of asbestos material/mold and hazardous materials from any place in a building, including mechanical systems where those mechanical systems are to be removed. This includes the removal of asbestos materials/mold and hazardous materials from ductwork or pipes in a building when the building is to be demolished at the time of or at some close future date.

ASBESTOS - MECHANICAL - removal of asbestos material from mechanical systems, such as pipes, ducts, and boilers, where the mechanical systems are to remain.

CERAMIC TILE FINISHER

The grouting, cleaning, and polishing of all classes of tile, whether for interior or exterior purposes, all burned, glazed or unglazed products; all composition materials, granite tiles, warning detectable tiles, cement tiles, epoxy composite materials, pavers, glass mosaics, fiberglass, and all substitute materials, for tile made in tile-like units; all mixtures in tile like form of cement, metals, and other materials that are for and intended for use as a finished floor surface, stair treads, promenade roofs, walks, walls, ceilings, swimming pools, and all other places where tile is to form

a finished interior or exterior. The mixing of all setting mortars including but not limited to thin-set mortars, epoxies, wall mud, and any other sand and cement mixtures or adhesives when used in the preparation, installation, repair, or maintenance of tile and/or similar materials. The handling and unloading of all sand, cement, lime, tile, fixtures, equipment, adhesives, or any other materials to be used in the preparation, installation, repair, or maintenance of tile and/or similar materials. Ceramic Tile Finishers shall fill all joints and voids regardless of method on all tile work, particularly and especially after installation of said tile work. Application of any and all protective coverings to all types of tile installations including, but not be limited to, all soap compounds, paper products, tapes, and all polyethylene coverings, plywood, masonite, cardboard, and any new type of products that may be used to protect tile installations, Blastrac equipment, and all floor scarifying equipment used in preparing floors to receive tile. The clean up and removal of all waste and materials. All demolition of existing tile floors and walls to be re-tiled.

COMMUNICATIONS TECHNICIAN

Installation, operation, maintenance, repair and service of radio, television, recording, voice, sound and vision production and reproduction, telephone and telephone interconnect, facsimile, equipment and appliances used for domestic, commercial, educational and entertainment purposes, pulling of wire through conduit but not the installation of conduit.

MARBLE FINISHER

Loading and unloading trucks, distribution of all materials (all stone, sand, etc.), stocking of floors with material, performing all rigging for heavy work, the handling of all material that may be needed for the installation of such materials, building of scaffolding, polishing if needed, patching, waxing of material if damaged, pointing up, caulking, grouting and cleaning of marble, holding water on diamond or Carborundum blade or saw for setters cutting, use of tub saw or any other saw needed for preparation of material, drilling of holes for wires that anchor material set by setters, mixing up of molding plaster for installation of material, mixing up thin set for the installation of material, mixing up of sand to cement for the installation of material and such other work as may be required in helping a Marble Setter in the handling of all material in the erection or installation of interior marble, slate, travertine, art marble, serpentine, alberene stone, blue stone, granite and other stones (meaning as to stone any foreign or domestic materials as are specified and used in building interiors and exteriors and customarily known as stone in the trade), carrara, sanionyx, vitrolite and similar opaque glass and the laying of all marble tile, terrazzo tile, slate tile and precast tile, steps, risers treads, base, or any other materials that may be used as substitutes for any of the aforementioned materials and which are used on interior and exterior which are installed in a similar manner.

MATERIAL TESTER I: Hand coring and drilling for testing of materials; field inspection of uncured concrete and asphalt.

MATERIAL TESTER II: Field inspection of welds, structural steel, fireproofing, masonry, soil, facade, reinforcing steel, formwork, cured concrete, and concrete and asphalt batch plants; adjusting proportions of bituminous mixtures.

OPERATING ENGINEER - BUILDING

Class 1. Asphalt Plant; Asphalt Spreader; Autograde; Backhoes with Caisson Attachment; Batch Plant; Benoto (requires Two Engineers); Boiler and Throttle Valve; Caisson Rigs; Central Redi-Mix Plant; Combination Back Hoe Front End-loader Machine; Compressor and Throttle Valve; Concrete Breaker (Truck Mounted); Concrete Conveyor; Concrete Pump (Truck Mounted); Concrete Paver Over 27E cu. ft; Concrete Paver 27E cu. ft. and Under; Concrete Placer; Concrete Placing Boom; Concrete Pump (Truck Mounted); Concrete Tower; Cranes, All; Cranes, Hammerhead; Cranes, (GCI and similar Type); Crawler Crane; Spider Crane; Crusher, Stone, etc.; Derricks, All; Derricks, Traveling; Formless Curb and Gutter Machine; Grader, Elevating; Grouting Machines; Heavy Duty Self-Propelled Transporter or Prime Mover; Highlift Shovels or Front Endloader 2-1/4 yd. and over; Hoists, Elevators, outside type rack and pinion and similar machines; Hoists, One, Two and Three Drum; Hoists, Two Tugger One Floor; Hydraulic Backhoes, Hydraulic Boom Trucks; Hydro Vac (and similar equipment); Locomotives, All; Motor Patrol; Lubrication Technician; Manipulators; Pile Drivers and Skid Rig; Post Hole Digger; Pre-Stress Machine; Pump Cretes Dual Ram; Pump Cretes: Squeeze Cretes-Screw Type Pumps; Gypsum Bulker and Pump; Raised and Blind Hole Drill; Roto Mill Grinder; Scoops - Tractor Drawn; Slip-Form Paver; Straddle Buggies; Operation of Tie Back Machine; Tournapull; Tractor with Boom and Side Boom; Trenching Machines.

Class 2. Boilers; Broom, All Power Propelled; Bulldozers; Concrete Mixer (Two Bag and Over); Conveyor, Portable; Forklift Trucks; Highlift Shovels or Front Endloaders under 2-1/4 yd.; Hoists, Automatic; Hoists, Inside Elevators; Hoists, Sewer Dragging Machine; Hoists, Tugger Single Drum; Laser Screenshot; Rock Drill (Self-Propelled); Rock Drill (Truck Mounted); Rollers, All; Steam Generators; Tractors, All; Tractor Drawn Vibratory Roller; Winch Trucks with "A" Frame.

Class 3. Air Compressor; Combination Small Equipment Operator; Generators, Heaters, Mechanical; Hoists, Inside Elevators (remodeling or renovation work); Hydraulic Power Units (Pile Driving, Extracting, and Drilling); Pumps, over 3" (1 to 3 not to exceed a total of 300 ft.); Low Boys; Pumps, Well Points; Welding Machines (2 through 5); Winches, 4 Small Electric Drill Winches.

Class 4. Bobcats and/or other Skid Steer Loaders; Oilers; and Brick Forklift.

Class 5. Assistant Craft Foreman.

Class 6. Gradall.

Class 7. Mechanics; Welders.

OPERATING ENGINEERS - HIGHWAY CONSTRUCTION

Class 1. Asphalt Plant; Asphalt Heater and Planer Combination; Asphalt Heater Scarfire; Asphalt Spreader; Autograde/GOMACO or other similar type machines; ABG Paver; Backhoes with Caisson Attachment; Ballast Regulator; Belt Loader; Caisson Rigs; Car Dumper; Central Redi-Mix Plant; Combination Backhoe Front Endloader Machine, (1 cu. yd. Backhoe Bucket or over or with attachments); Concrete Breaker (Truck Mounted);

Concrete Conveyor; Concrete Paver over 27E cu. ft.; Concrete Placer; Concrete Tube Float; Cranes, all attachments; Cranes, Tower Cranes of all types; Creter Crane; Spider Crane; Crusher, Stone, etc.; Derricks, All; Derrick Boats; Dredges, Traveling; Elevators, Outside type Rack & Pinion and Similar Machines; Formless Curb and Gutter Machine; Grader, Elevating; Grader, Motor Grader, Motor Patrol, Auto Patrol, Form Grader, Pull Grader, Subgrader; Guard Rail Post Driver Truck Mounted; Hoists, One, Two and Three Drum; Heavy Duty Self-Propelled Transporter or Prime Mover; Hydraulic Backhoes; Backhoes with shear attachments up to 40' of boom reach; Lubrication Technician; Manipulators; Mucking Machine; Pile Drivers and Skid Rig; Pre-Stress Machine; Pump Cretes Dual Ram; Rock Drill - Crawler or Skid Rig; Rock Drill - Truck Mounted; Rock/Track Tamper; Roto Mill Grinder; Slip-Form Paver; Snow Melters; Soil Test Drill Rig (Truck Mounted); Straddle Buggies; Hydraulic Telescoping Form (Tunnel); Operation of Tieback Machine; Tractor Drawn Belt Loader; Tractor Drawn Belt Loader (with attached pusher - two engineers); Tractor with Boom; Tractors with Attachments; Traffic Barrier Transfer Machine; Trenching; Truck Mounted Concrete Pump with Boom; Raised or Blind Hole Drills (Tunnel Shaft); Underground Boring and/or Mining Machines 5 ft. in diameter and over tunnel, etc.; Underground Boring and/or Mining Machines under 5 ft. in diameter; Wheel Excavator; Widener (APSCO).

Class 2. Batch Plant; Bituminous Mixer; Boiler and Throttle Valve; Bulldozers; Car Loader Trailing Conveyors; Combination Backhoe Front Endloader Machine (Less than 1 cu. yd. Backhoe Bucket or over with attachments); Compressor and Throttle Valve; Compressor, Common Receiver (3); Concrete Breaker or Hydro Hammer; Concrete Grinding Machine; Concrete Mixer or Paver 7S Series to and including 27 cu. ft.; Concrete Spreader; Concrete Curing Machine, Burlap Machine, Belting Machine and Sealing Machine; Concrete Wheel Saw; Conveyor Muck Cars (Haglund or Similar Type); Drills, All; Finishing Machine - Concrete; Highlift Shovels or Front Endloader; Hoist - Sewer Dragging Machine; Hydraulic Boom Trucks (All Attachments); Hydro-Blaster; Hydro Excavating (excluding hose work); Laser Screed; All Locomotives, Dinky; Off-Road Hauling Units (including articulating) Non Self-Loading Ejection Dump, Pump Cretes; Squeeze Cretes - Screw Type Pumps, Gypsum Bulker and Pump; Roller, Asphalt; Rotary Snow Plows; Rototiller, Seaman, etc., self-propelled, Self-Propelled Compactor; Spreader - Chip - Stone, etc.; Scraper - Single/Twin Engine/Push and Pull; Scraper - Prime Mover in Tandem (Regardless of Size); Tractors pulling attachments, Sheeps Foot, Disc, Compactor, etc.; Tug Boats.

Class 3. Boilers; Brooms, All Power Propelled; Cement Supply Tender; Compressor, Common Receiver (2); Concrete Mixer (Two Bag and Over); Conveyor, Portable; Farm-Type Tractors Used for Mowing, Seeding, etc.; Forklift Trucks; Grouting Machine; Hoists, Automatic; Hoists, All Elevators; Hoists, Tugger Single Drum; Jeep Diggers; Low Boys; Pipe Jacking Machines; Post-Hole Digger; Power Saw, Concrete Power Driven; Pug Mills; Rollers, other than Asphalt; Seed and Straw Blower; Steam Generators; Stump Machine, Winch Trucks with "A" Frame; Work Boats; Tamper-Form-Motor Driven.

Class 4. Air Compressor; Combination - Small Equipment Operator; Directional Boring Machine; Generators; Heaters Mechanical; Hydraulic Power Unit (Pile Driving, Extracting, or Drilling); Light Plants, All (1 through 5); Pumps, over 3" (1 to 3 not to exceed a total of 300 ft.); Pumps, Well Points; Vacuum Trucks (excluding hose work); Welding Machines (2 through 5); Winches, 4 Small Electric Drill Winches.

Class 5. SkidSteer Loader (all); Brick Forklifts; Oilers.

Class 6. Field Mechanics and Field Welders

Class 7. Dowell Machine with Air Compressor; Gradall and machines of like nature.

OPERATING ENGINEERS - FLOATING

Diver. Diver Wet Tender, Diver Tender, ROV Pilot, ROV Tender

TRUCK DRIVER - BUILDING, HEAVY AND HIGHWAY CONSTRUCTION Class 1. Two or three Axle Trucks. A-frame Truck when used for transportation purposes; Air Compressors and Welding Machines, including those pulled by cars, pick-up trucks and tractors; Ambulances; Batch Gate Lockers; Batch Hopperman; Car and Truck Washers; Carry-alls; Fork Lifts and Hoisters; Helpers; Mechanics Helpers and Greasers; Oil Distributors 2-man operation; Pavement Breakers; Pole Trailer, up to 40 feet; Power Mower Tractors; Self-propelled Chip Spreader; Skipman; Slurry Trucks, 2-man operation; Slurry Truck Conveyor Operation, 2 or 3 man; Teamsters Unskilled dumpman; and Truck Drivers hauling warning lights, barricades, and portable toilets on the job site.

Class 2. Four axle trucks; Dump Crets and Adgetors under 7 yards; Dumpsters, Track Trucks, Euclids, Hug Bottom Dump Turnapulls or Turnatrailers when pulling other than self-loading equipment or similar equipment under 16 cubic yards; Mixer Trucks under 7 yards; Ready-mix Plant Hopper Operator, and Winch Trucks, 2 Axles.

Class 3. Five axle trucks; Dump Crets and Adgetors 7 yards and over; Dumpsters, Track Trucks, Euclids, Hug Bottom Dump Turnatrailers or turnapulls when pulling other than self-loading equipment or similar equipment over 16 cubic yards; Explosives and/or Fission Material Trucks; Mixer Trucks 7 yards or over; Mobile Cranes while in transit; Oil Distributors, 1-man operation; Pole Trailer, over 40 feet; Pole and Expandable Trailers hauling material over 50 feet long; Slurry trucks, 1-man operation; Winch trucks, 3 axles or more; Mechanic--Truck Welder and Truck Painter.

Class 4. Six axle trucks; Dual-purpose vehicles, such as mounted crane trucks with hoist and accessories; Foreman; Master Mechanic; Self-loading equipment like P.B. and trucks with scoops on the front.

TERRAZZO FINISHER

The handling of sand, cement, marble chips, and all other materials that may be used by the Mosaic Terrazzo Mechanic, and the mixing, grinding, grouting, cleaning and sealing of all Marble, Mosaic, and Terrazzo work, floors, base, stairs, and wainscoting by hand or machine, and in addition, assisting and aiding Marble, Masonic, and Terrazzo Mechanics.

Other Classifications of Work:

For definitions of classifications not otherwise set out, the Department generally has on file such definitions which are available. If a task to be performed is not subject to one of the classifications of pay set out, the Department will upon being contacted state which neighboring county has such a classification and provide such rate, such rate being deemed to exist by reference in this document. If no neighboring county rate applies to the task, the Department shall undertake a special determination, such special determination being then deemed to have existed under this determination. If a project requires these, or any classification not listed, please contact IDOL at 217-782-1710 for wage rates or clarifications.

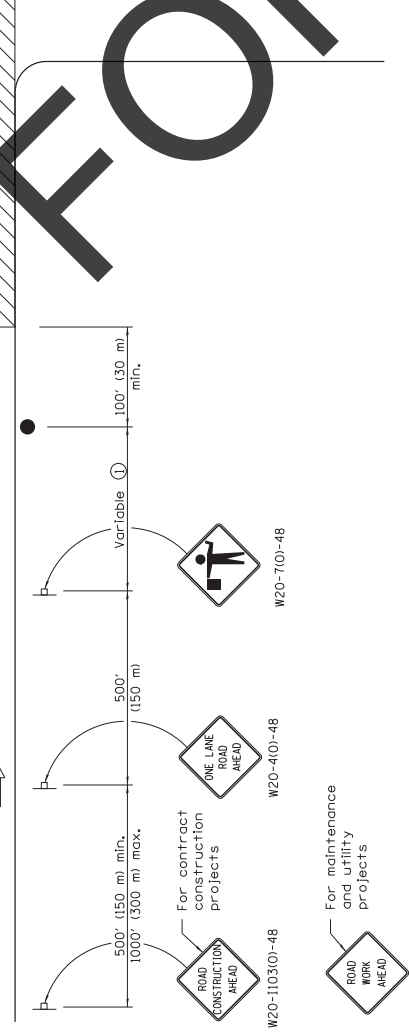
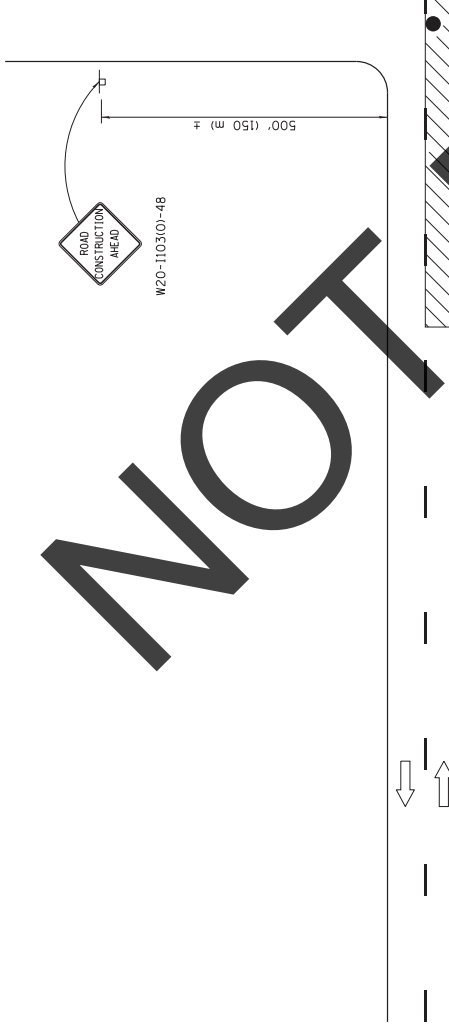
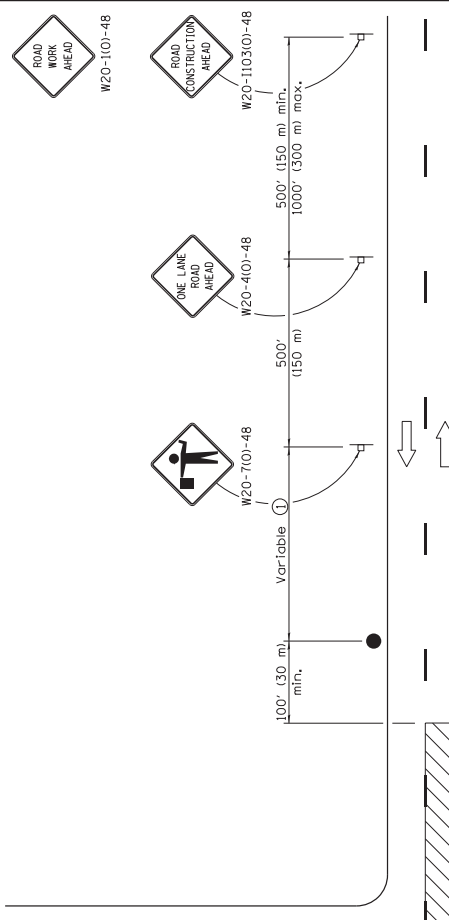
LANDSCAPING

Landscaping work falls under the existing classifications for laborer, operating engineer and truck driver. The work performed by landscape plantsman and landscape laborer is covered by the existing classification of laborer. The work performed by landscape operators (regardless of equipment used or its size) is covered by the classifications of operating engineer. The work performed by landscape truck drivers (regardless of size of truck driven) is covered by the classifications of truck driver.

MATERIAL TESTER & MATERIAL TESTER/INSPECTOR I AND II

Notwithstanding the difference in the classification title, the classification entitled "Material Tester I" involves the same job duties as the classification entitled "Material Tester/Inspector I". Likewise, the classification entitled "Material Tester II" involves the same job duties as the classification entitled "Material Tester/Inspector II".

NOT FOR BID



For contract construction projects

For maintenance and utility projects

GENERAL NOTES

This Standard is used where at any time, any vehicle, equipment, workers or their activities require an intermittent or continuous moving operation on the pavement where the average speed of movement is greater than 1 mph (2 km/h) and less than 4 mph (6 km/h).

When the operation does not exceed 60 minutes, traffic control may be according to Standard 701301.

All dimensions are in inches (millimeters) unless otherwise shown.

TYPICAL APPLICATIONS

- Bituminous resurfacing
- Milling operations
- Utility operations
- Shoulder operations

SYMBOLS

- Work area
- Sign on portable or permanent support
- Flagger with traffic control sign

DATE	REVISIONS
1-1-11	Revised flagger sign.
1-1-09	Switched units to English (metric).
	Corrected sign No.'s.

Illinois Department of Transportation

APPROVED: *[Signature]* JANUARY 2011

ENGINEER OF SAFETY ENGINEERING

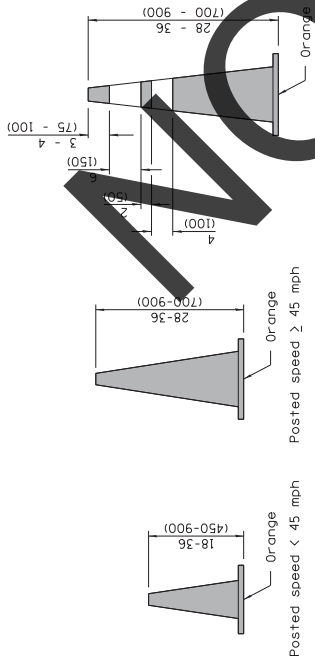
APPROVED: *[Signature]* JANUARY 1, 2011

ENGINEER OF DESIGN AND ENVIRONMENT

ISSUED 1-1-97

LANE CLOSURE, 2L, 2W, SLOW MOVING OPERATIONS DAY ONLY, FOR SPEEDS > 45 MPH

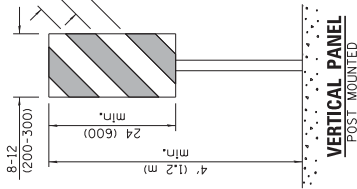
STANDARD 701306-03



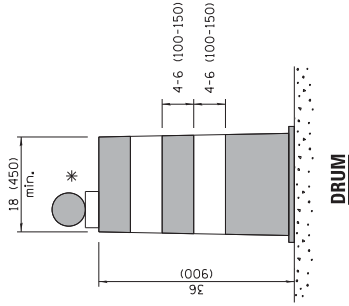
Posted speed < 45 mph Posted speed ≥ 45 mph

COME FOR DAYTIME

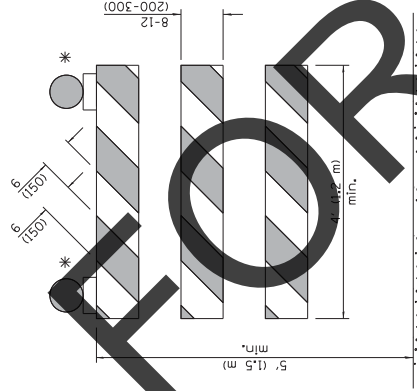
REFLECTORIZED CONE FOR NIGHTTIME



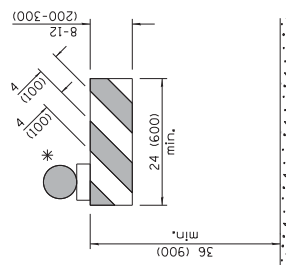
VERTICAL PANEL POST-MOUNTED



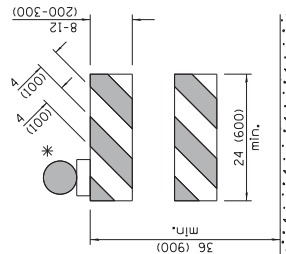
DRUM



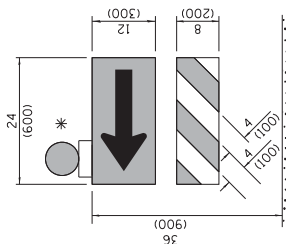
TUBULAR MARKER



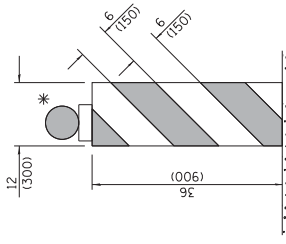
TYPE I BARRICADE



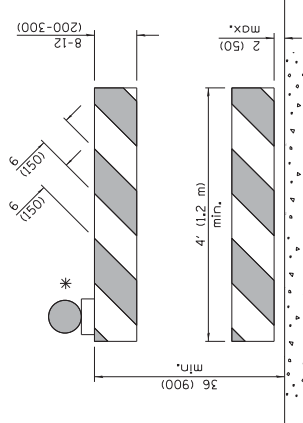
TYPE II BARRICADE



DIRECTION INDICATOR BARRICADE



VERTICAL BARRICADE



DETECTABLE PEDESTRIAN CHANNELIZING BARRICADE

TYPE III BARRICADE

* Warning lights (if requested)

GENERAL NOTES
All heights shown shall be measured above the pavement surface.
All dimensions are in inches (millimeters) unless otherwise shown.

DATE	REVISIONS
1-1-17	Changes FLEXIBLE DELINEATOR TO TUBULAR MARKER.
4-1-16	Add dims to barricades. Rev. note for post mnt. signs.
	Rev. cone dths. Add W2-II03.

TRAFFIC CONTROL DEVICES

(Sheet 1 of 3)

STANDARD 701901-06

Illinois Department of Transportation

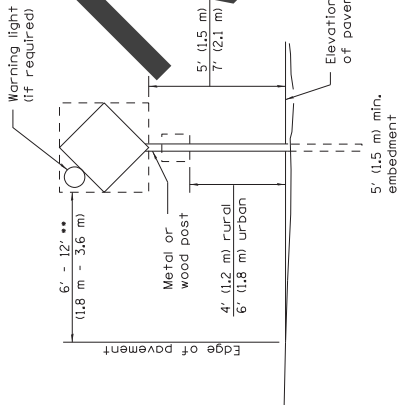
APPROVED: *Janey L. 2017* ISSUED: 1-1-97

ENGINEER OF OPERATIONS

APPROVED: *Janey L. 2017*

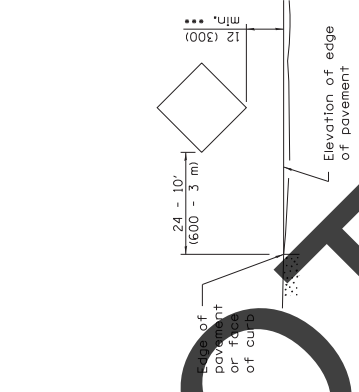
ENGINEER OF DESIGN AND ENVIRONMENT

NOT FOR BID



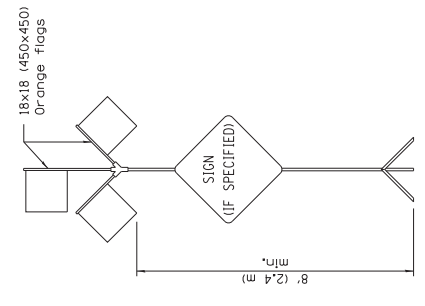
POST MOUNTED SIGNS

.. When curb or paved shoulder are present this dimension shall be 24 (600) to the face of curb or 6' (1.8 m) to the outside edge of the paved shoulder.



SIGNS ON TEMPORARY SUPPORTS

... When work operations exceed four days, this dimension shall be 5' (1.5 m) min. If located behind other devices, the height shall be sufficient to be seen completely above the devices.



HIGH LEVEL WARNING DEVICE

ROAD CONSTRUCTION NEXT X MILES
G20-1104(O)-6036

END CONSTRUCTION
G20-1105(O)-6024

This signing is required for all projects 2 miles (3200 m) or more in length.
ROAD CONSTRUCTION NEXT X MILES sign shall be placed 500' (150 m) in advance of project limits.
END CONSTRUCTION sign shall be erected at the end of the job unless another job is within 2 miles (3200 m).
Dual sign displays shall be utilized on multi-lane highways.

WORK LIMIT SIGNING

WORK ZONE	W21-1105(O)-3618
SPEED LIMIT	R2-1-3648
XX	
PHOTO ENFORCED	R10-1108p-3618
SXXX FINE MINIMUM	R2-1106p-3618

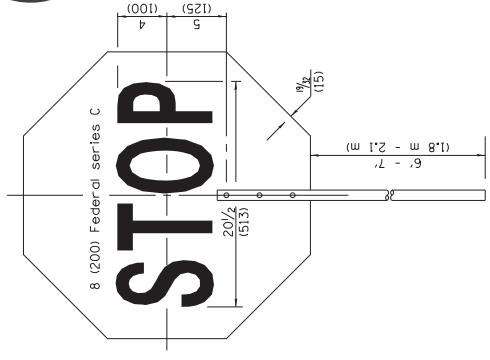
Sign assembly as shown on Standards or as allowed by District Operations.

END WORK ZONE SPEED LIMIT	G20-1103(O)-6036
---------------------------	------------------

This sign shall be used when the above sign assembly is used.

HIGHWAY CONSTRUCTION SPEED ZONE SIGNS

.... R10-1108p shall only be used along roadways under the Jurisdiction of the State.



FRONT SIDE

REVERSE SIDE



W12-1103-4848

WIDTH RESTRICTION SIGN

XX'-XX" width and X miles are variable.

APPROVED	JANUARY 1, 2017	ISSUED	1-1-97
ENGINEER OF OPERATIONS	<i>John Allen</i>	APPROVED	JANUARY 1, 2017
ENGINEER OF DESIGN AND ENVIRONMENT	<i>Thomas R. ...</i>		

FLAGGER TRAFFIC CONTROL SIGN

TRAFFIC CONTROL DEVICES

(Sheet 2 of 3)

STANDARD 701901-06

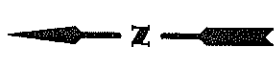
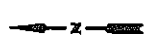
STATE OF ILLINOIS
 DEPARTMENT OF TRANSPORTATION
 DIVISION OF HIGHWAYS
**PLANS FOR PROPOSED
 MOTOR FUEL TAX
 PROGRAM PROJECT**
 SECTION: 18-03000-00-GM, NON-MFT
 TOWNSHIP ROAD TR 49 - STOCKDALE ROAD
 GRUNDY COUNTY
 ERIENNA TOWNSHIP
 ROAD CLASSIFICATION - LOCAL ROAD
 ADT: 150
 DESIGN SPEED - 30 M.P.H.

INDEX OF SHEETS

- 1 COVER SHEET, INDEX OF SHEETS, STANDARDS, LOCATION MAP
- 2 SUMMARY OF QUANTITIES, TYPICAL CROSS SECTION
- 3 TYPICAL ENTRANCE DETAIL, TYPICAL INTERSECTION DETAIL, TYPICAL MAILBOX TURNOUT DETAIL

STANDARDS

- 701306-03 LANE CLOSURE, 2 LANE, 2 WAY, SLOW MOVING OPERATIONS, DAY ONLY
- 701901-06 TRAFFIC CONTROL DEVICES, 3 SHEETS

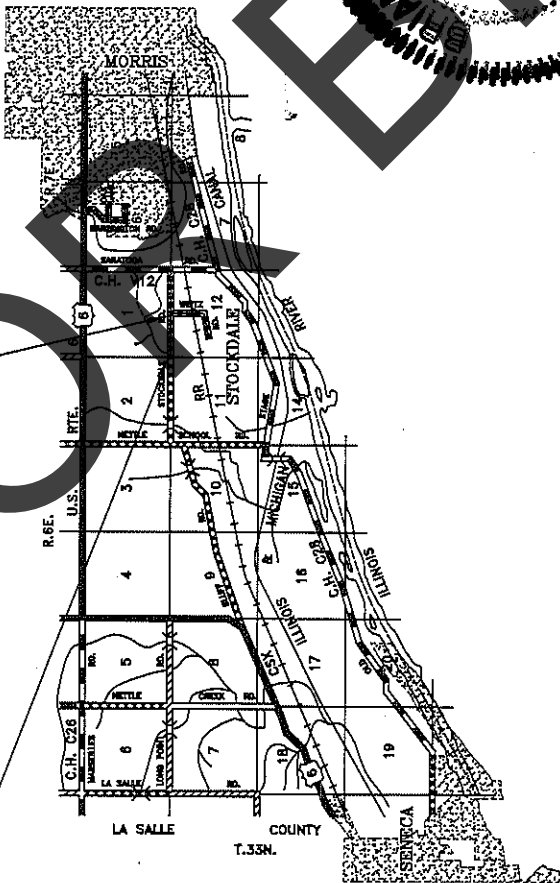


PROJECT LOCATION	
NETTLE CREEK	AUX SABLE
ERIENNA	GOOSE LAKE
NORMAN	FELIX
VIENNA	MAZON
HIGHLAND	GOODFARM
	GARFIELD
	GREENFIELD

GRUNDY COUNTY

PROPOSED IMPROVEMENT
 BEGINS STA. 0+00

PROPOSED IMPROVEMENT
 ENDS STA. 26+40



LOCATION MAP

GROSS LENGTH: 2,640 FEET = 0.500 MILES
 OMISSIONS: 0 FEET = 0.000 MILES
 NET LENGTH: 2,640 FEET = 0.500 MILES

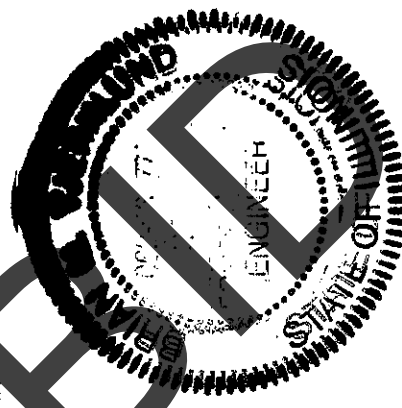
UTILITIES

UTILITY SYSTEM - THE TOLL FREE TELEPHONE NUMBER FOR JOINT UTILITY LOCATING INFORMATION FOR EXCAVATOR IS 800-892-0123

APPROVED 5-22-18
[Signature]
 ERIENNA TOWNSHIP ROAD COMMISSIONER

THESE PLANS WERE PREPARED BY ME OR BY A FULL TIME MEMBER OF MY STAFF WORKING UNDER MY PERSONAL SUPERVISION.

APPROVED 5-22-18
[Signature]
 BRIAN TIERNBERND
 ACTING GRUNDY COUNTY ENGINEER



PASSED _____ 20____

DISTRICT ENGINEER OF LOCAL ROADS & STREETS

APPROVED _____ 20____

DISTRICT ENGINEER _____

STATE OF ILLINOIS
 DEPARTMENT OF TRANSPORTATION

- Cover Sheet & Location Map Sheet 1
- Typ. X-Sect. & Quantities Sheet 2
- Detail Sheet Sheet 3

Department of Transportation

Bureau of Local Roads and Streets

Plans for Proposed

Road District Improvement

Scales { Plan Profile, Horizontal 1 inch = Ft.
 { Profile, Vertical 1 inch = Ft.

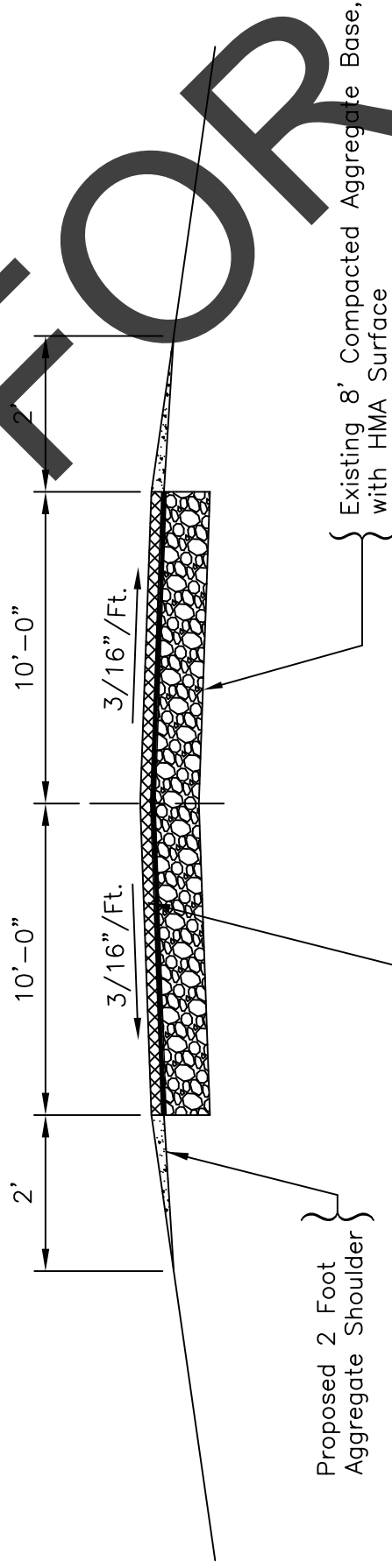
Standards 701306-03
 701901-06

County Grundy
 Road District Erienna Township
 Section 18-03000-00-GM, NON-MFT

Summary of Quantities

Hot-Mix Asphalt Leveling Binder MM N30	837	Ton
HMA Surface Removal - Butt Joints	124	Sq.Yd.
Aggregate Shoulders B	196	Ton
Bituminous Materials (Prime Coat)	2,855	Pound
Aggregate (Prime Coat)	13	Ton

Typical Cross Section



PG Grade For Hot-Mix Asphalt

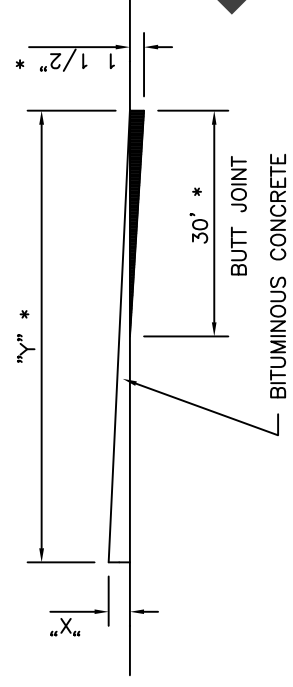
Mix	PG Grade
Level Binder	58-22
Binder Course	58-22
Surface Course	58-22
Patching	58-22
Base Course and Widening	58-22

* See Proposal for Specifications

Route	Gross Length Feet	Omission Feet	Net Length Feet	Miles
TR 49	2,640	0	2,640	0.500
Totals	2,640	0	2,640	0.500

NOT FOR BID

TYPICAL TAPER AT BUTT JOINT



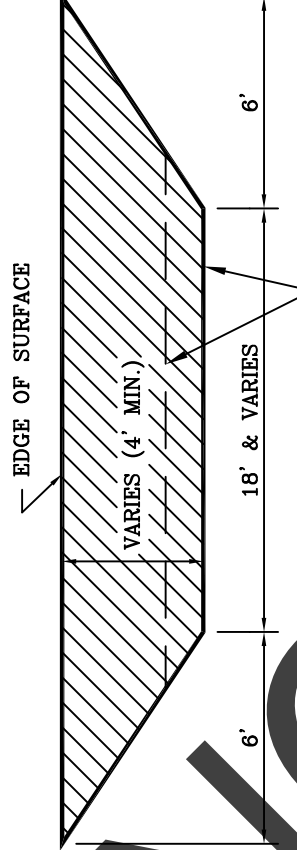
"X" = PROPOSED PAVEMENT THICKNESS

TABLE	
"X"	"Y"
1"	20'
1 1/2"	30'
2"	40'
2 1/2"	50'
3"	60'
3 1/2"	70'
4"	80'

* NOTE: SEE TABLE BELOW FOR DEPTHS. BUTT JOINTS AT PRIVATE ENTRANCES SHALL BE 18" x 1" DEEP.

DEPTH	LOCATION	LENGTH	SIDE	SQ. YD.
TR 49 2"	STA. 0+00	40'	C.L.	89
	STA. 23+53	40'	RT	89
	STA. 26+40	40'	C.L.	89
TOTAL				267

TYPICAL PRIVATE ENTRANCE



18" x 1" BUTT JOINT
CONCRETE ENTRANCES WILL HAVE A SAW CUT EDGE

TABLE OF PRIVATE ENTRANCES

LOCATION	STATION	SIDE	SURFACE TYPE	SQ. YD.
TR 49 7 LOCATIONS @ 37 SQ YD.		LT & RT	VARIES	259
TOTALS				259

TYPICAL INTERSECTION DETAIL

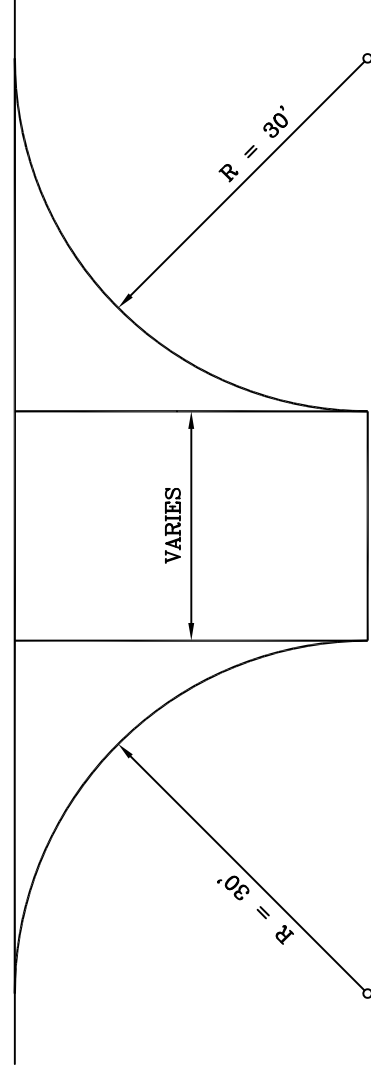


TABLE OF INTERSECTIONS

LOCATION	STATION	SIDE	SQ. YD.
TR 49	23+53	RT	110
TOTAL			110

TYPICAL MAILBOX TURNOUT

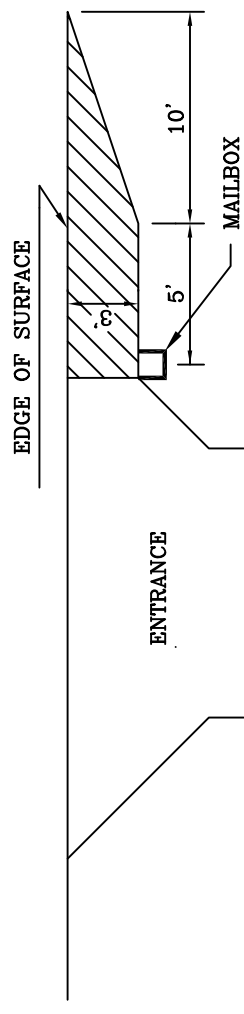


TABLE OF MAILBOX TURNOUTS

LOCATION	STATION	SIDE	SQ. YD.
TR 49 4 LOCATIONS @ 5 SQ. YD. EACH	VARIES	LT & RT	20
TOTAL			20

STATE OF ILLINOIS
COUNTY OF GRUNDY
COUNTY ENGINEER

DRAWN: B.M.T. CHECKED: C.J.C. SCALE: NONE DATE: 5-11-18
REVISED: